

OKI

OKIPAGE4^w LED Page Printer

Troubleshooting Manual
with Component Parts List
(ODA/OEL/INT)



1997.12.10 Rev. 2

All specifications are subject to change without notice.

CONTENTS

1.	OUTLINE	1
2.	TOOLS	1
3.	CIRCUIT DESCRIPTION	2
4.	TROUBLESHOOTING	21
5.	CIRCUIT DIAGRAM	27
6.	COMPONENT PARTS LIST	

1. OUTLINE

This manual has been written to provide guidance for troubleshooting of the OKIPAGE4w Printer (primarily for its printed circuit boards), on an assumption that the reader is knowledgeable of the printer. Read the maintenance manual for this printer P/N M-521426 if necessary.

Note:

1. High voltage power supply board and power supply unit containing a high voltage power supply is dangerous. From the viewpoint of the safety standards, the local repairing of a defective board is not allowed. Thus, the objects to be locally repaired as a result of troubleshooting are switches and fuses.

2. TOOLS

For troubleshooting the printer, the tools listed below may be needed in addition to general maintenance tools.

Tool	Remarks
Oscilloscope	Frequency response 100 MHz or higher
Soldering iron	A slender tip type, 15-20 watts
Extension code kit	P/N : 40105501

3. CIRCUIT DESCRIPTION

3.1 Outline

The circuit of OKIPAGE4w consists of a main control board, a high voltage power supply board and a power supply unit. The block diagram is shown in Fig. 3-1. The main control board controls the reception and transmission of data with a host I/f and processes command analysis, bit image development, raster buffer read. It also controls the engine and high voltage outputs.

(1) Reception and transmission control

The main control board has one parallel I/F port which is compliant to the IEEE 1284 specification.

An interface task stores all data received from the host into a receive buffer first, and returns the printer status upon request of the host.

(2) Command analysis processing

The OKIPAGE4w printer has the following emulation mode.

Hiper-W: OKI original

An edit task fetches data from the receive buffer, analyzes commands, and sets I/O registers.

(3) Raster data processing

The decompression circuit in the CPU expands the compressed data and stores the data into the raster buffer.

(4) Raster data transfer

The LED head control circuit in the CPU sends the data stored in the raster buffer to the LED head.

(5) High voltage control

The high voltage control circuit in the CPU.

The high voltage power supply board generates high voltage outputs, and have sensors, LED for display.

The power supply unit generates +24VDC output, +5DC output.

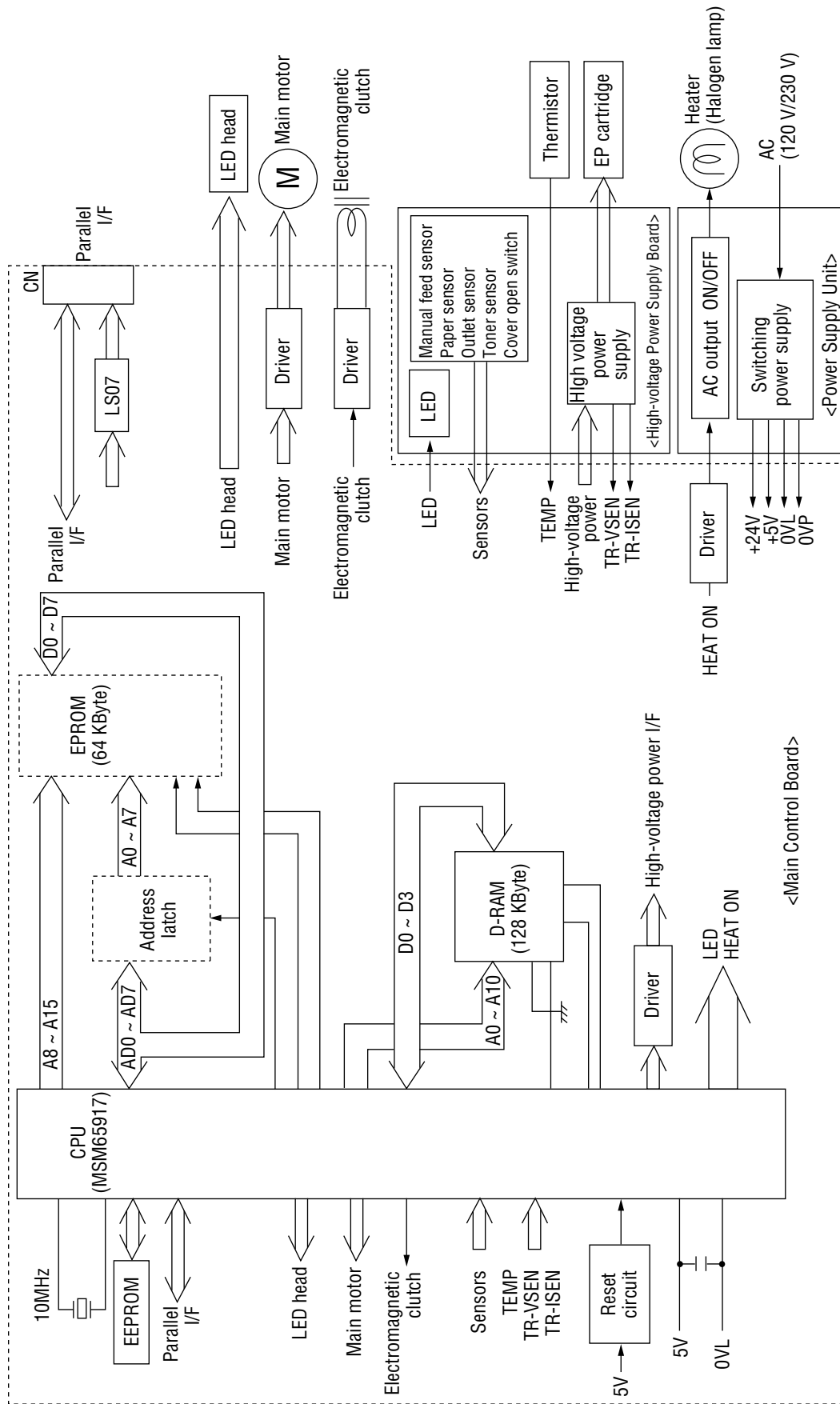


Figure 3-1 OKIPAGE4w Block Diagram

3.2 CPU and Memory

(1) CPU (MSM65917)

CPU core	nX-8
CPU clock	10 MHz
Data bus width	External 8 bits, Internal 8 bits

(2) Program ROM

ROM capacity	64k-bytes (512-kbit EPROM)
ROM type	512 kbits (64k x 8 bits)
Access time	150 nsec

When mask ROM in the CPU is valid, the EPROM is not mounted.

(3) Resident RAM

RAM capacity	128k bytes (256k x 4 bits D-RAM one piece)
RAM type	1M bits (256k x 4 bits)
Access time	70 ns

The block diagram of CPU and memory circuit is shown in Fig. 3-2.

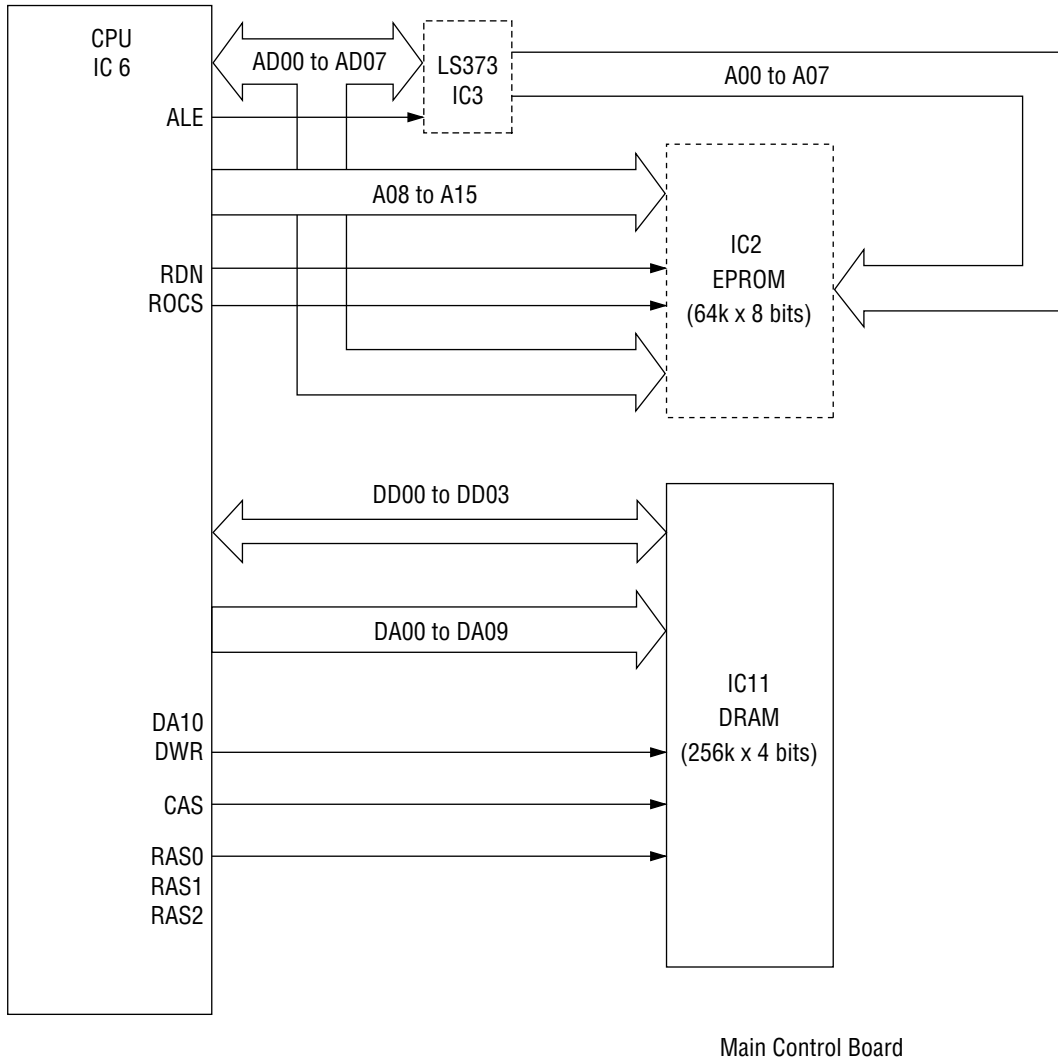
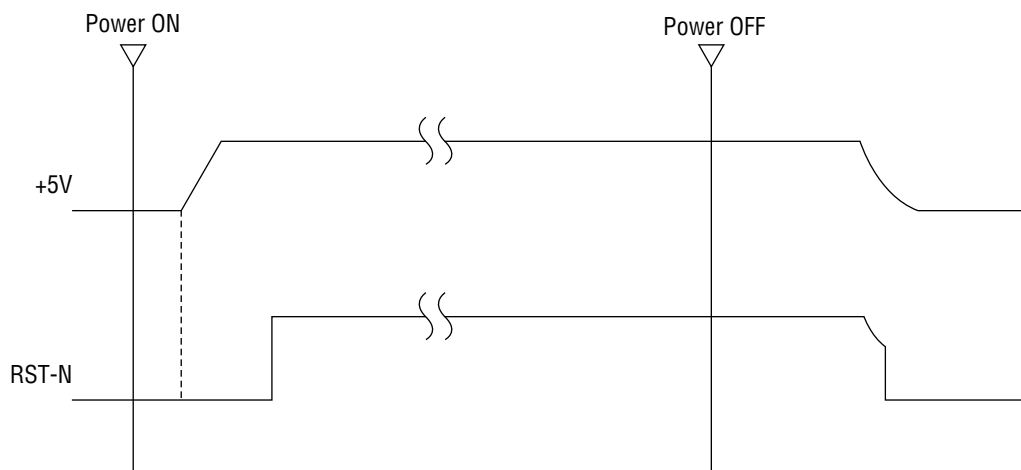
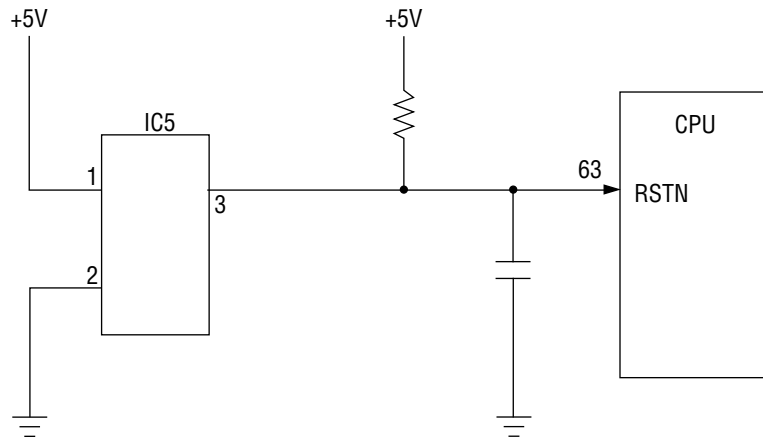


Figure 3-2 Block Diagram of CPU & Memory in OKIPAGE4w

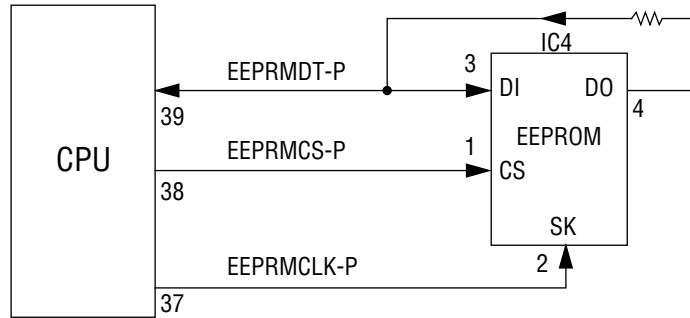
3.3 Reset Control

When power is turned on, RST-N signal is generated by IC5.



3.4 EEPROM Control

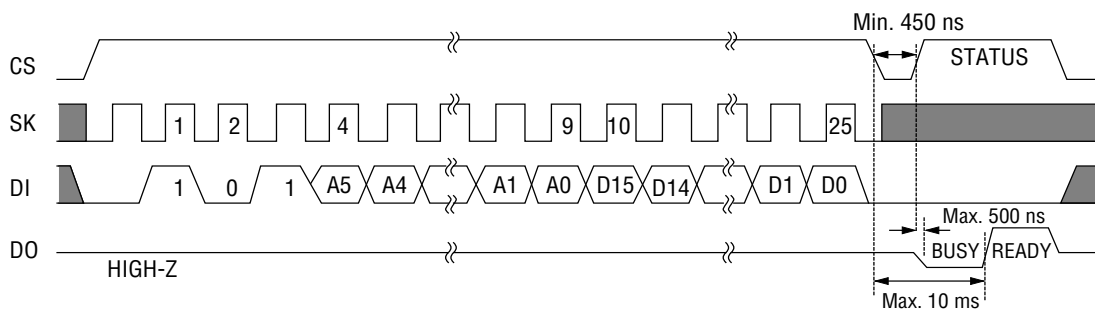
The BR93LC46A on the main control board is an electrical erasable/programmable ROM of 64-bit x 16-bit configuration. Data input to and output from the ROM are bidirectionally transferred in units of 16 bits through I/O port (EEPRMDT-P) in serial transmission synchronized with a clock signal from the CPU.



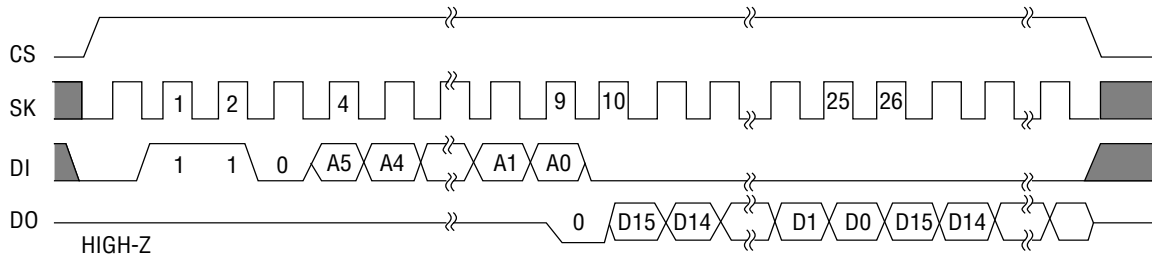
The EEPROM operates in the following instruction modes.

Instruction	Start bit	Operation code	Address	Data
Read (READ)	1	10	A5 to A0	
Write Enabled (WEN)	1	00	11XXXX	
Write (WRITE)	1	01	A5 to A0	D15 to D0
Write All Address (WRAL)	1	00	01XXXX	D15 to D0
Write Disabled (WDS)	1	00	00XXXX	
Erase	1	11	A5 to A0	
Chip Erasable (ERAL)	1	00	10XXXX	

Write cycle timing (WRITE)

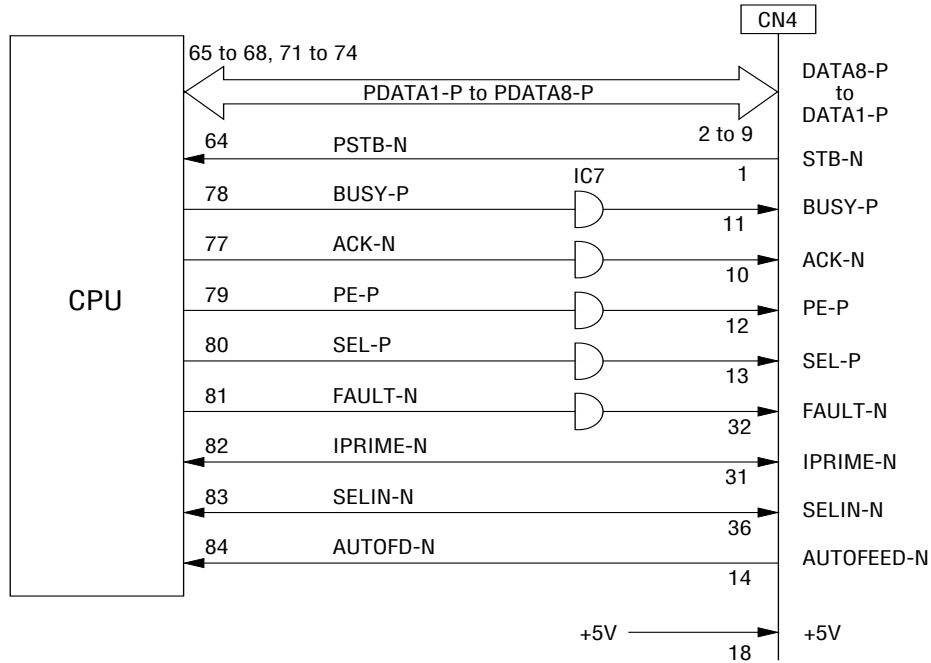


Read cycle timing (READ)



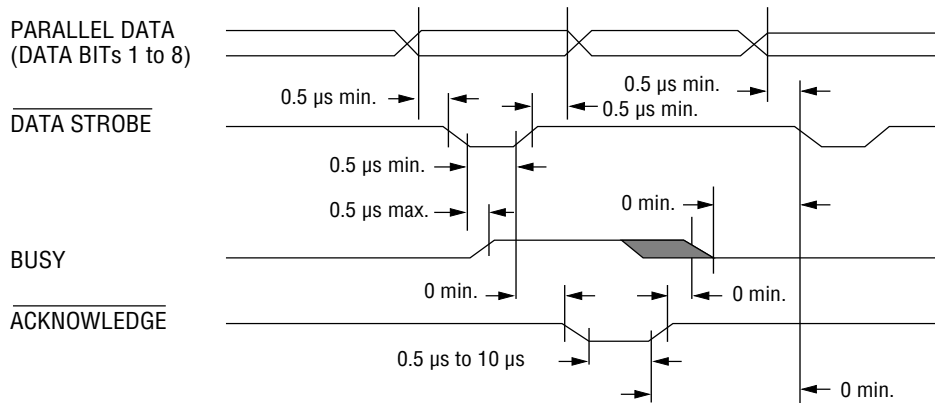
3.5 Parallel Interface

Parallel data is received from a host system via parallel interface which is compliant to the IEEE1284 specification.



Compatible mode

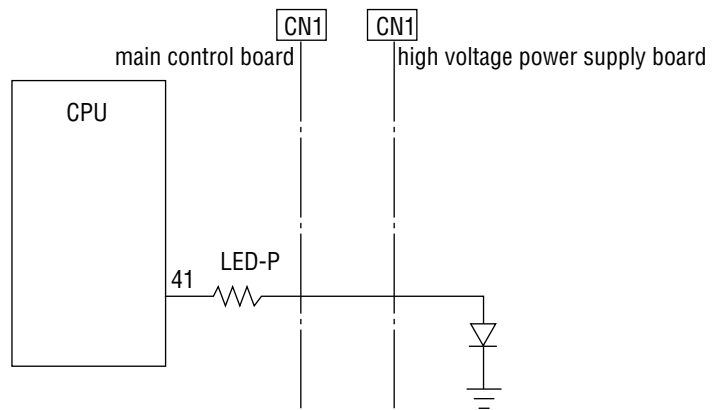
The CPU sets a BUSY-P signal to ON at the same time when it reads the parallel data (PDATA1-P to PDATA 8-P) from the parallel port at the fall of PSTB-N signal. Furthermore, it makes the store processing of received data into a receive buffer terminate within a certain fixed time and outputs an ACK-N signal, setting the BUSY-P signal to OFF.



3.6 LED Lamp Control

There is an LED lamp on the high voltage power supply board which is connected to and controlled by the CPU on the main control board.

The light from the LED lamp can be seen on the Lens Cover through the LED Lens.



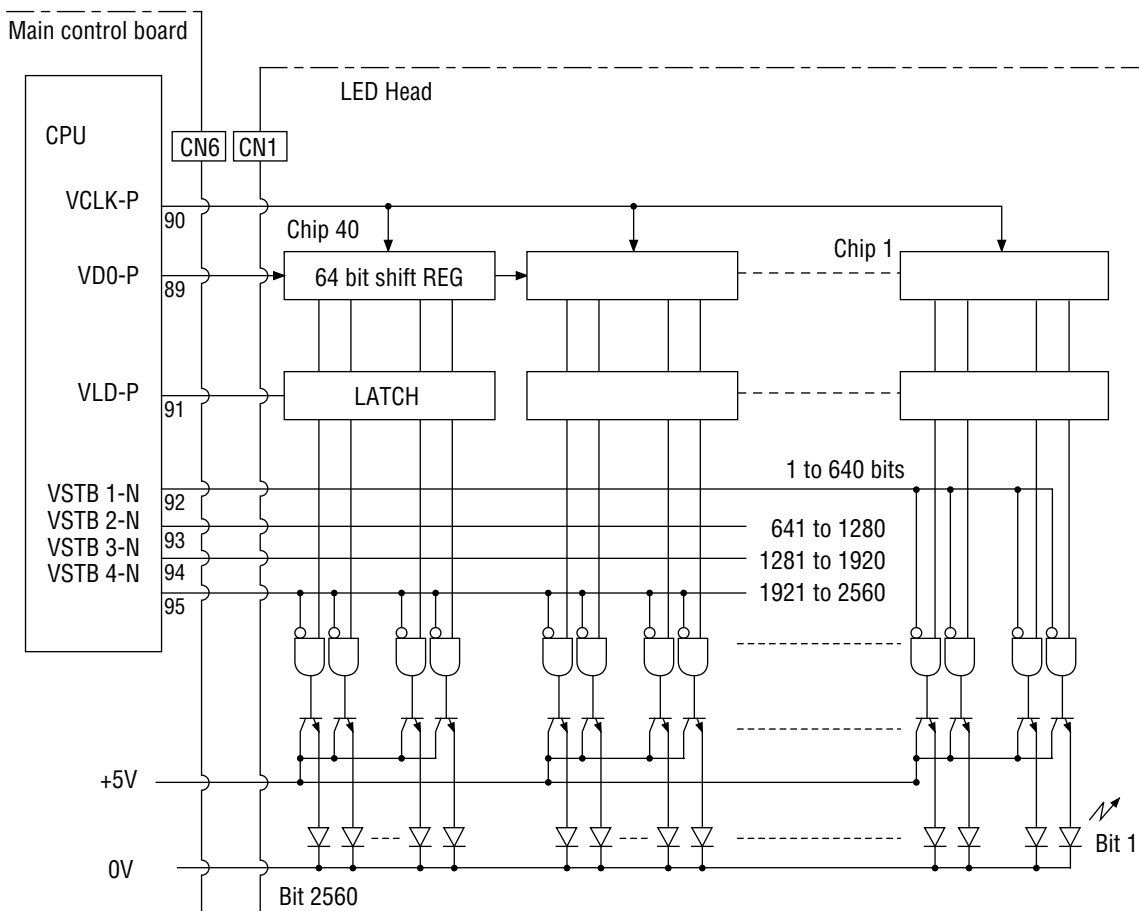
3.7 LED Head Control

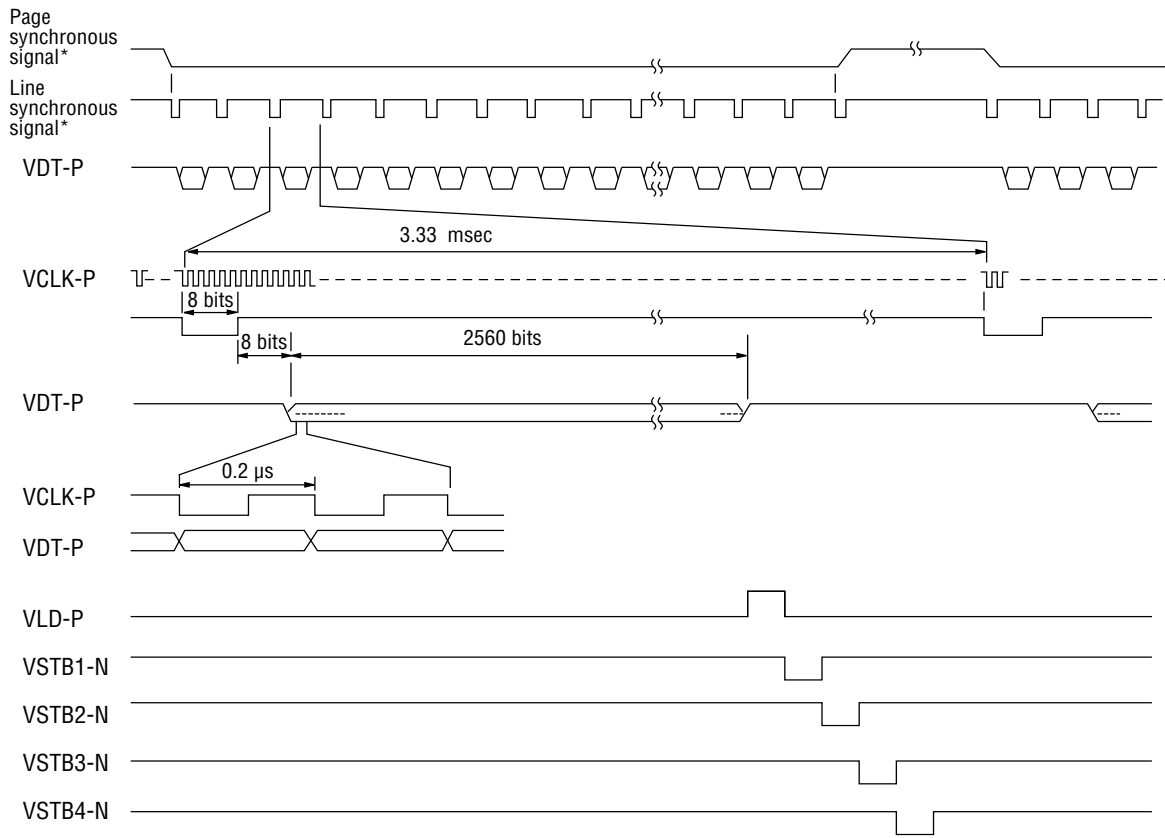
When a paper form is made to arrive at the data write position on print start, the sending of data to the LED head starts as synchronized with the page synchronous signal/line synchronous signal (CPU internal signal).

Bit image data developed on the raster buffer in the CPU are DMA-transferred to the register of a video interface controller (CPU built-in) and then sent to the shift register of the LED head in a serial transmission synchronized with the VCLK-P signal by the VD0-P signal.

When 1-dot line data (2560 bits) is completely shifted, it is latched by means of the VLD-P signal, causing LEDs to be driven by the VSTB1-N through VSTB4-N signals in different timing for each signal.

Some of LED heads have 2496 dots rather than 2560 dots. The controls regarding the number of dots are adjusted to the LED head installed when the printer is shipped from the factory.



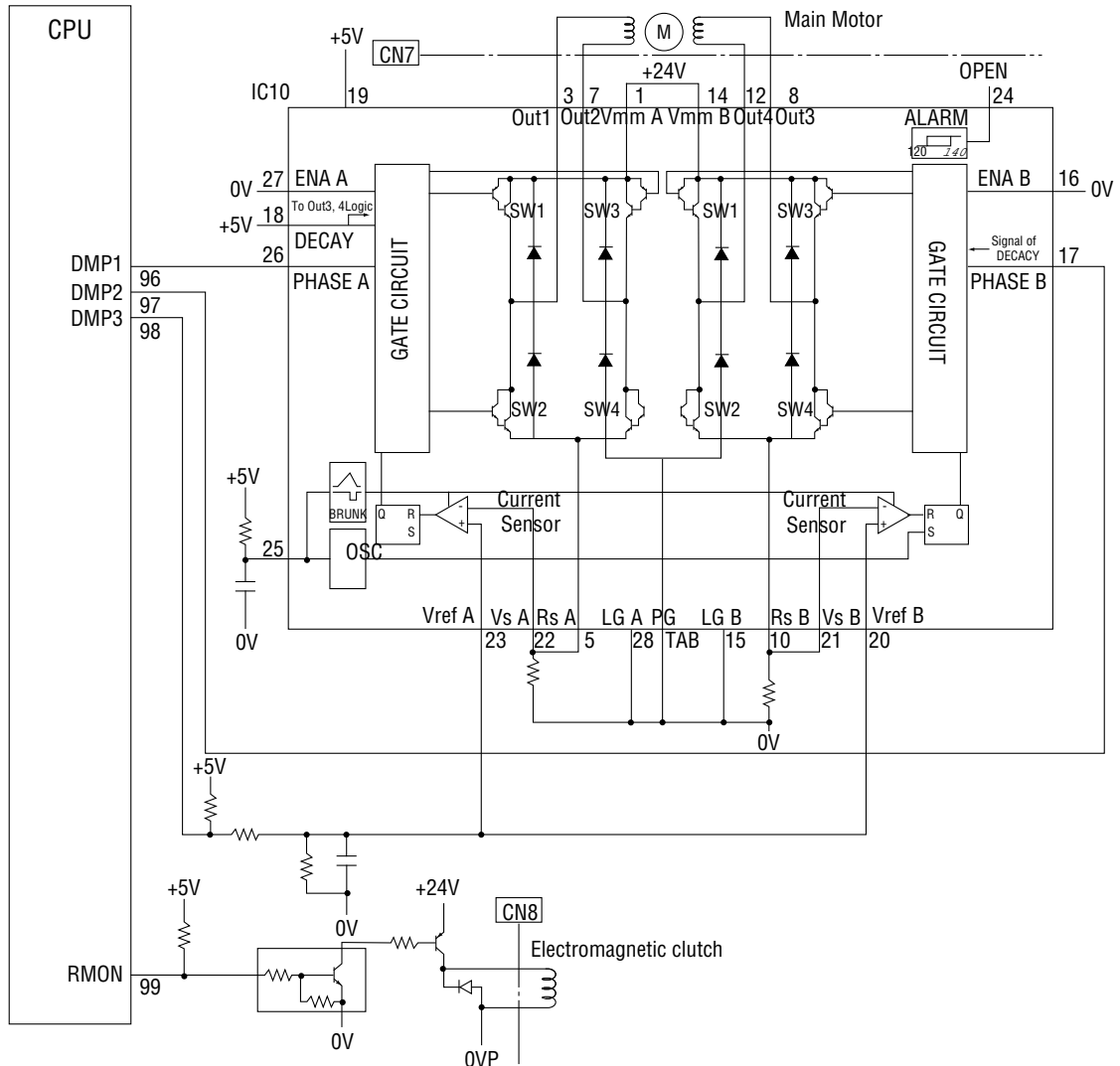


* CPU internal signal

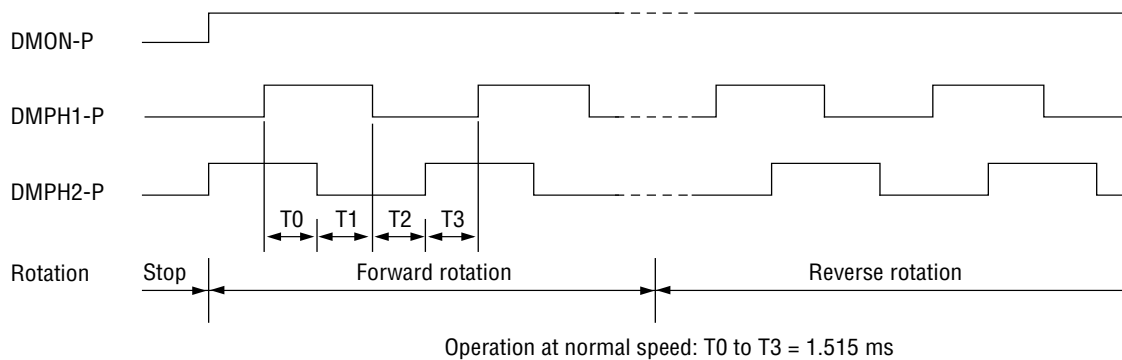
3.8 Motor and clutch control

The electromagnetic clutch is driven by a control signal from the CPU and the drive circuit shown below.

The main motor is driven by the control signals from the CPU and the driver IC.



(1) Main motor



(2) Motor drive control

Time T0 to T3 determines the motor speed, while the phase different direction between phase signals DMPH1-P and DMPH2-P determines the rotation direction. DMON-P signal control a motor coil current. According to the polarity of the phase signal, the coil current flow as follows:

1) +24V → SW1 → motor coil → $\overline{SW4}$ → resistor → earth, or,

2) +24V → $\overline{SW3}$ → motor coil → SW2 → resistor → earth

The drop voltage across the resistor is input to comparator, where it is compared with a reference voltage. If an overcurrent flows, a limiter operates to maintain it within a certain fixed current.

(3) Electromagnetic clutch control

Mechanical operation mode is switched by the combination of the clutch status and the direction of motor rotation.

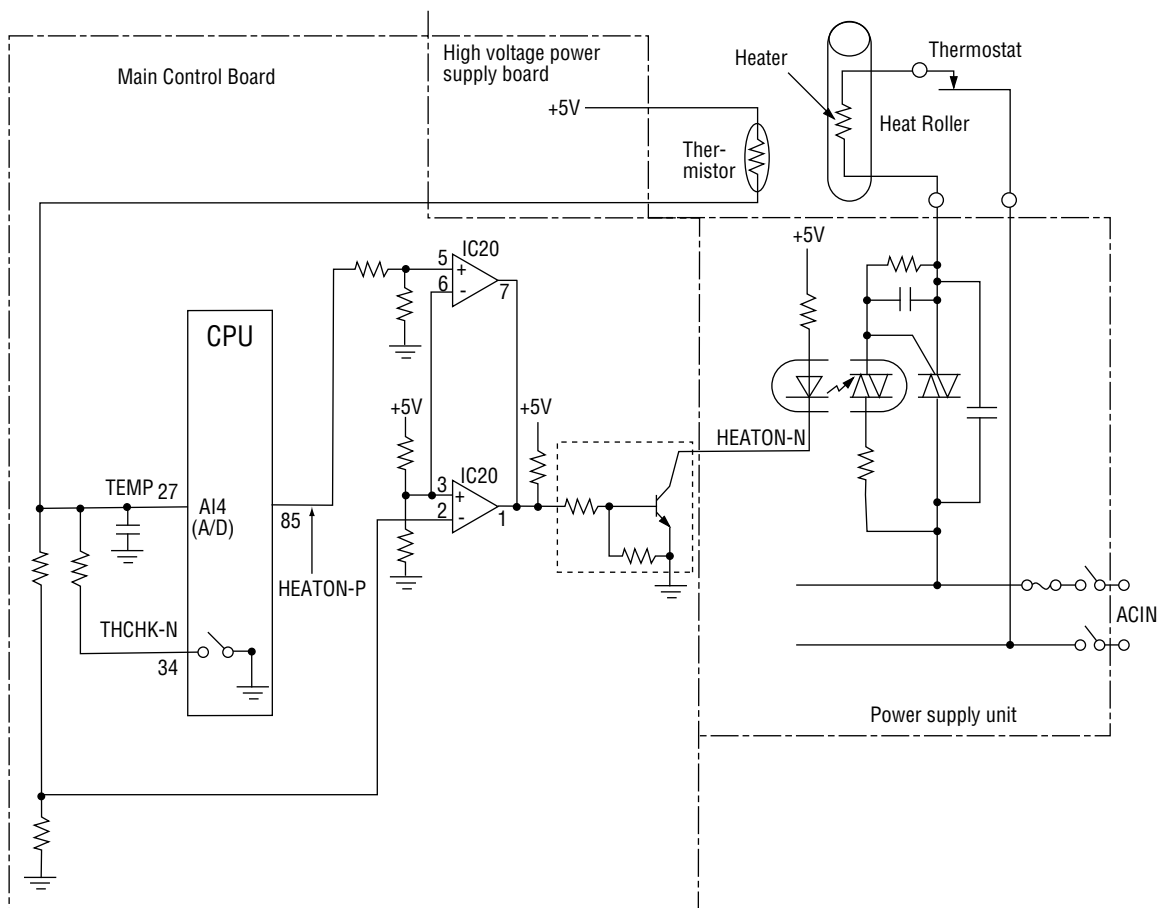
clutch status	rotation direction	operation mode
off	Forward	cleaning
off	Reverse	Hopping from manual feed slot
on	Forward	illegal operation
on	Reverse	Hopping from tray

3.9 Fuser Temperature Control

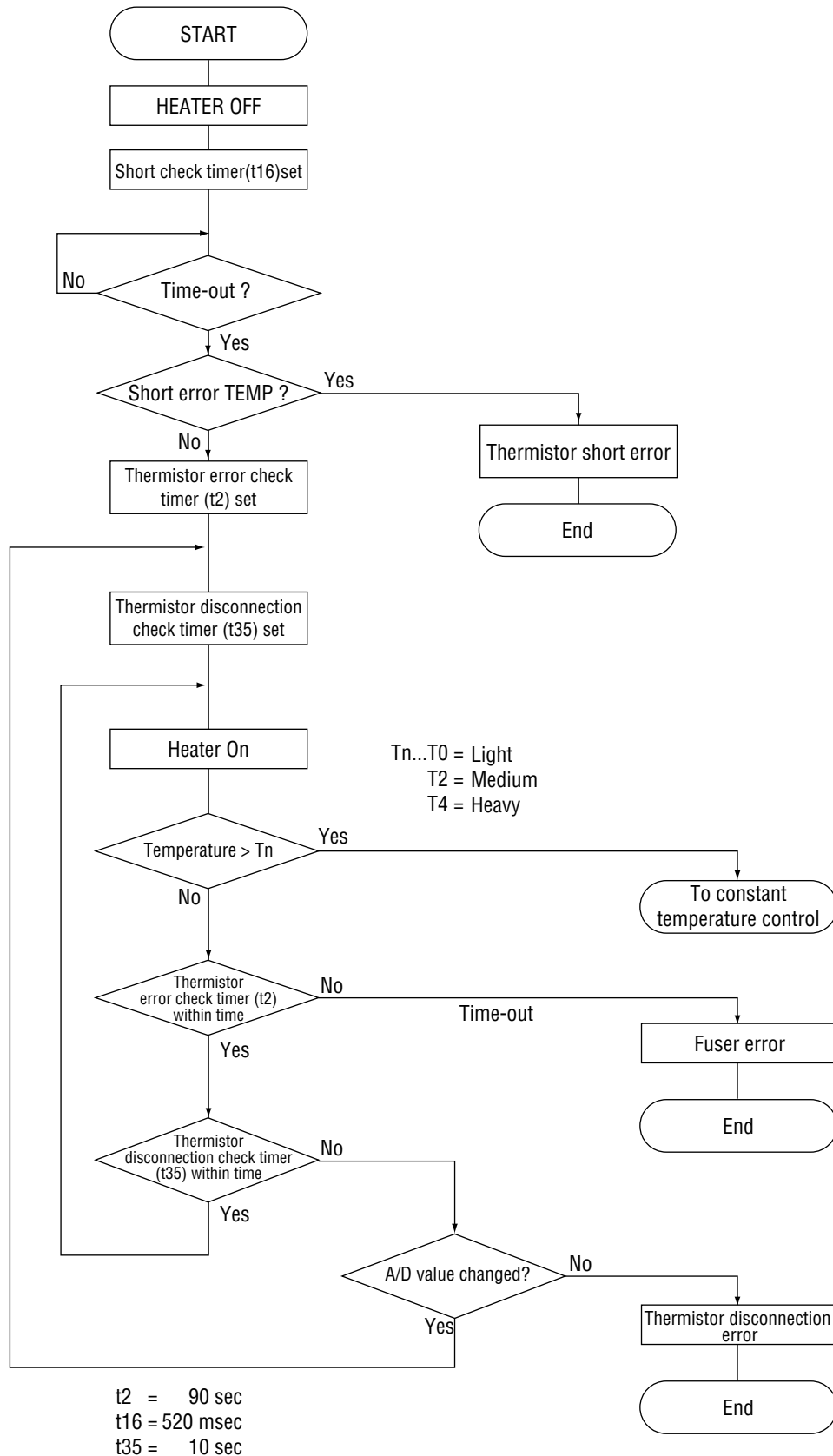
The temperature change in a heat controller is converted into the electric potential TEMP corresponding to the change in the resistance value of a thermistor, and the resultant potential is fed back to the control circuit. The CPU performs ON/OFF control of the HEATON-P signal to keep the heat roller temperature constant in accordance with the state at which the thermistor voltage (TEMP) is read into directly by the AD converter of the CPU.

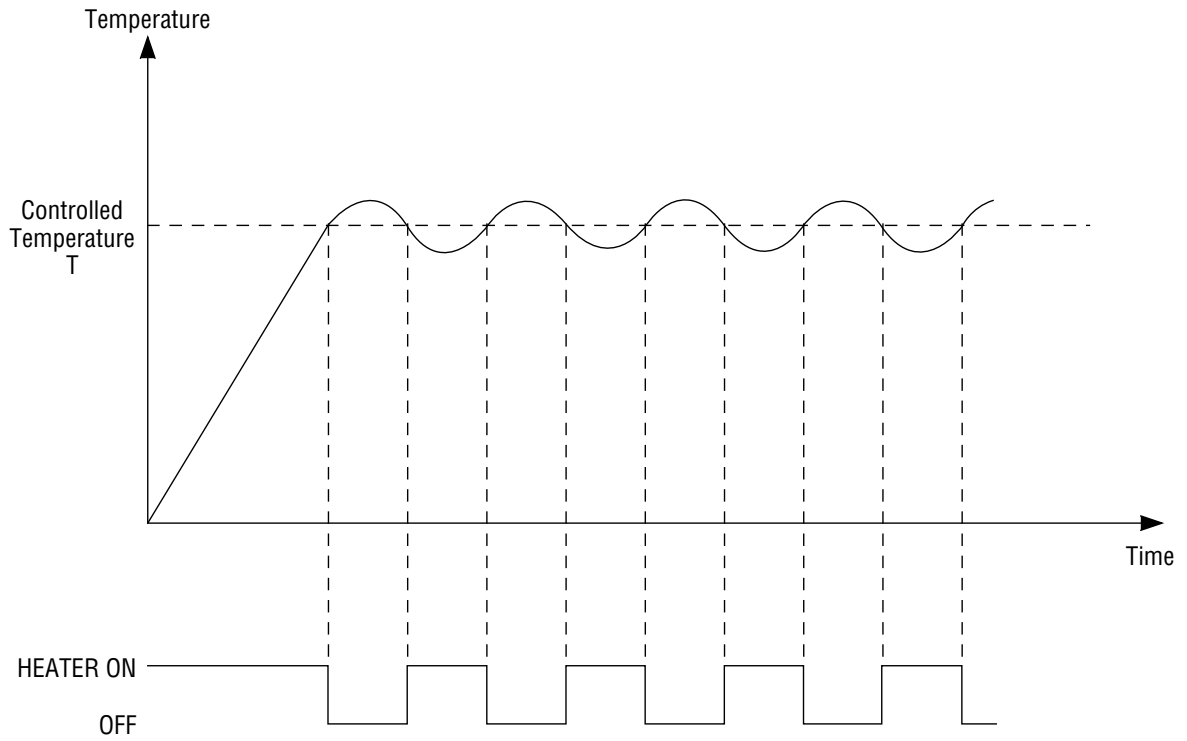
THCHK-N signal is fixed to "0".

When the paper thickness is set on the menu of the host, the temperature is adjusted to the targeted thickness accordingly.



Flowchart of Thermistor Circuit Check





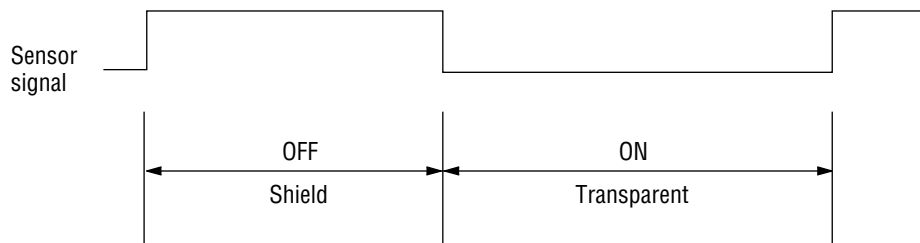
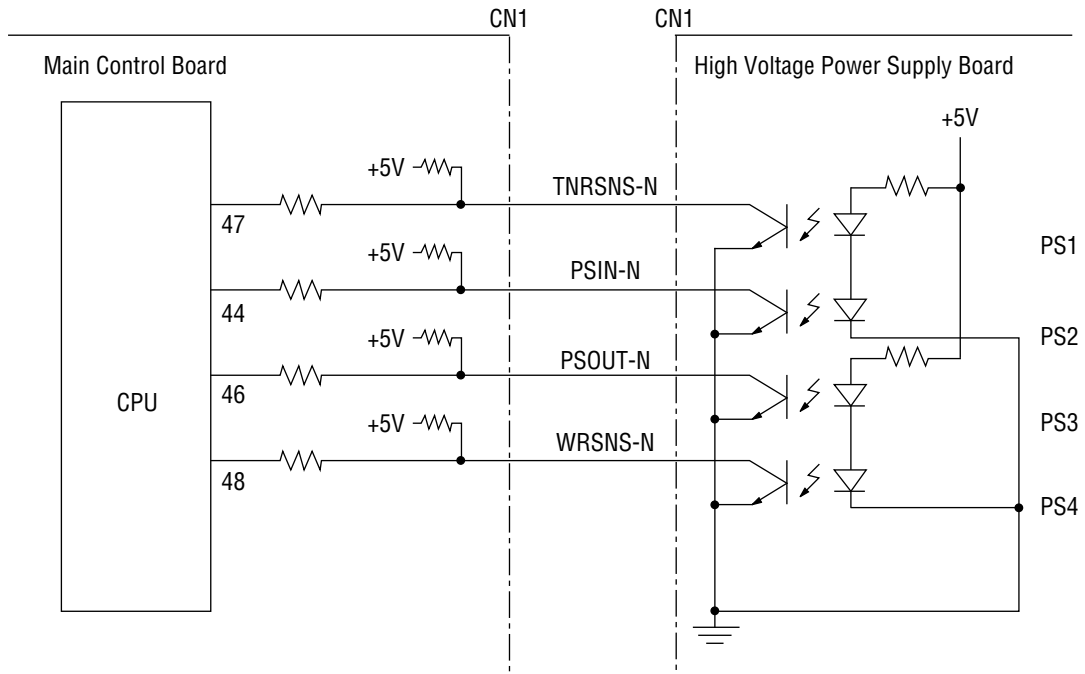
Temperature table

THCHK-N	Heater control mode
0	Normal operation
Z	Not used

T Paper Thickness
 135°C: light
 140°C: medium light
 150°C: medium
 155°C: medium heavy
 155°C: heavy

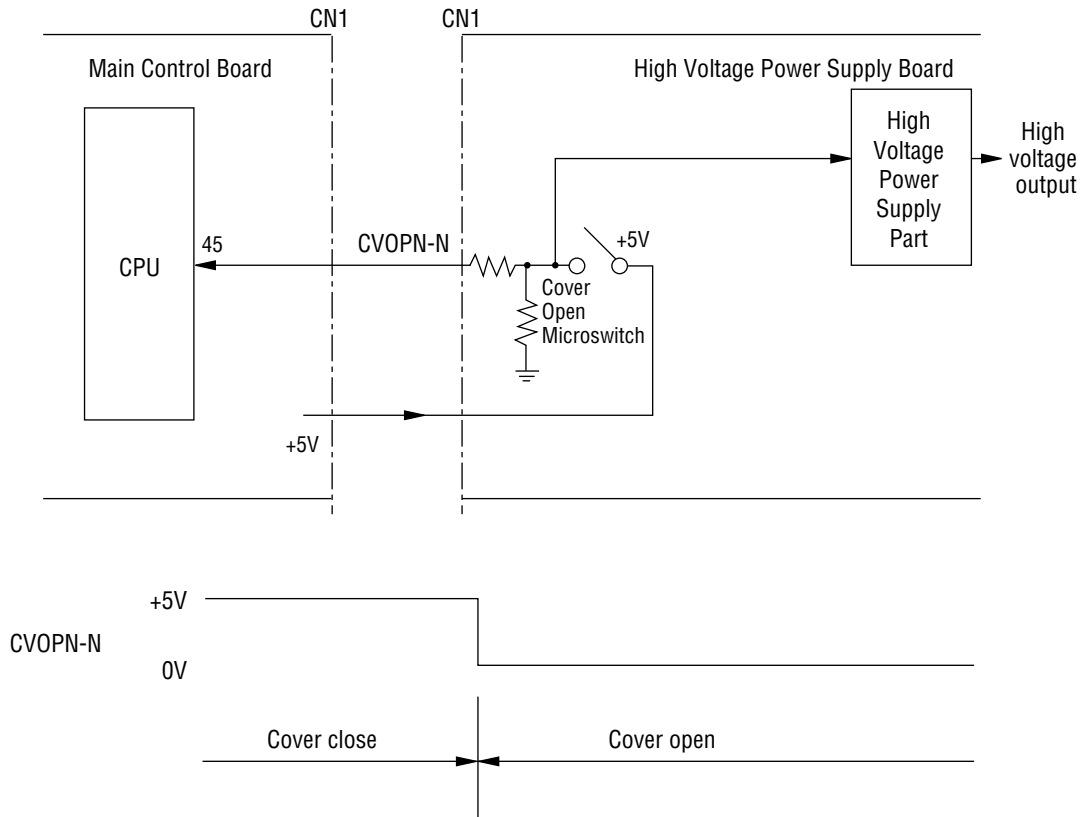
3.10 Sensor Control

The CPU supervises the state of each sensor every 40 ms.



3.11 Cover Open

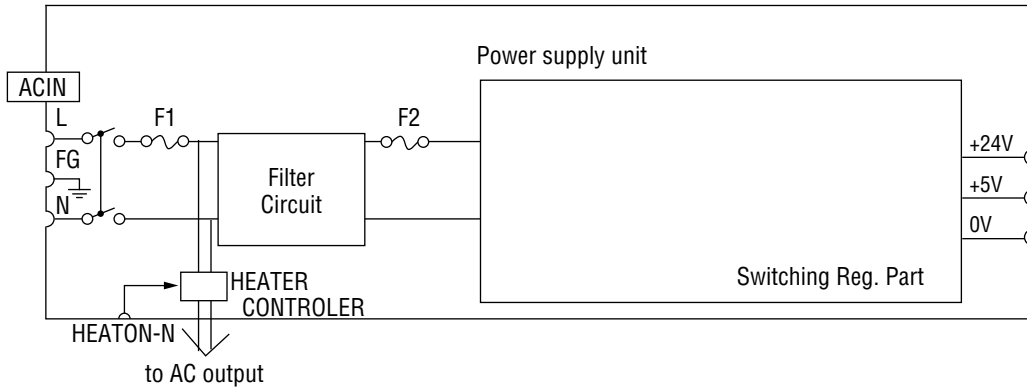
When the cover is opened, a cover open microswitch is opened. This makes a CVOPN-N signal low, thereby the CPU detects that cover is open. Furthermore, opening the cover stops applying a +5V power to the high voltage power supply part, resulting in stopping all high voltage outputs.



3.12 Power Supply Part

(1) Power supply unit

An AC power from an inlet is input to Switching Reg. part .AC power is converted to a +24 VDC output and +5 VDC output.

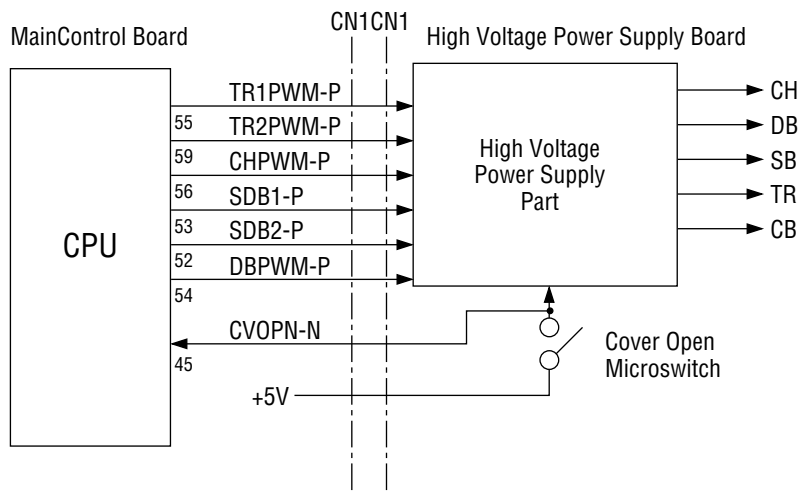


Fuse Ratings

AC Input Fuse	230 V	120 V
F1	250 V 6.3 A	125 V 10 A
F2	250 V 2 A	250 V 2 A

(2) High voltage power supply board

The +5 VDC power supplied to the high voltage power supply part via the cover open microswitch as source voltage. The high voltage power supply part supplies necessary voltage for electro-photography print to output terminals CH, DB, SB, TR, and CB according to a control signal from the CPU. The table on the next page shows the relationship between control signals and high voltage outputs.



Control Signals and High Voltage Outputs

Control signal name	Level	Function
TR1PWM-P	H/L (PWM)	Makes the part put out a power $\left(\begin{matrix} +3 \text{ to } 5 \mu\text{A} \\ +0.5 \text{ to } 4 \text{ KV} \end{matrix} \right)$ to TR.
	L	_____
TR2PWM-P	H/L(PWM)	Makes the part put out a -750V power to TR.
	L	_____
CHPWM-P	H/L(PWM)	Makes the part put out a -1.35 KV power to CH.
	L	_____
SDB1-P	H	Makes the part put out the following power: +450V or 0V power to SB +300V power to DB
	L	_____
SDB2-P	H	Makes the part put out the following power: -450V power to SB -300V power to DB +400V power to CB
	L	_____
DBPWM-P	H/L(PWM)	Makes the part put out the power to SB, DB, CB.
	L	_____

4. TROUBLESHOOTING

4.1 Troubleshooting Table

(A) High Voltage Power Supply Board

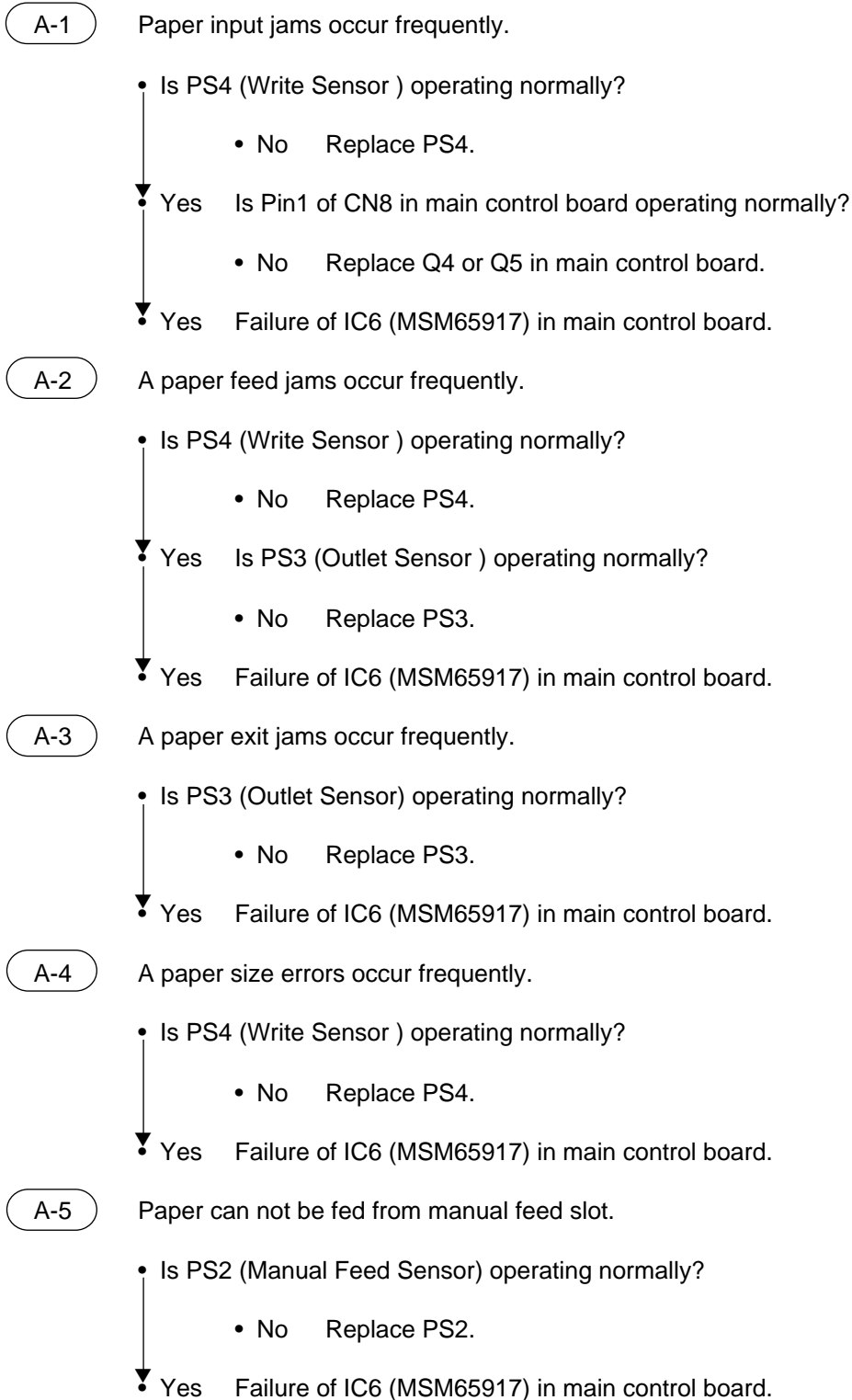
Note: A malfunction of the power supply is not repaired by an agency. The abnormality to be treated here is that of sensors only.

Failure	PC Display Message	Flowchart No.
A paper input jams occur frequently.	P A P E R I N P U T J A M	A - 1
A paper feed jams occur frequently.	P A P E R F E E D J A M	A - 2
A paper-exit jams occur frequently.	P A P E R E X I T J A M	A - 3
A paper size errors occur frequently.	P A P E R S I Z E E R R O R	A - 4
Paper can not be fed from the manual feed slot .		A - 5
The message "COVER OPEN" remains displayed on the PC display.	C O V E R O P E N	A - 6
The message "TONERLOW" remains displayed on the PC display.	T O N E R L O W	A - 7
The message "TONERSNS" remains displayed on the PC display.	T O N E R S E N S O R	A - 8

(B) Main Control Board

Failure	PC Display Message	Flowchart No.
Initialization error and not restored	INITIALIZATION ERROR	B - 1
Program ROM error	ROM CHECK ERROR	B - 2
Resident RAM error	RAM CHECK ERROR	B - 3
EEPROM error	EEPROM CHECK ERROR	B - 4
Fuser error	FUSER ERROR	B - 5
Watchdog timer timeout occurs frequently.	WATCHDOG TIMER ERROR	B - 6
Data sent through the Parallel I/F cannot be received.	INITIALIZATION ERROR	B - 7

4.2 Troubleshooting Flowchart



A-6

The message "COVER OPEN" remains displayed on the PC display.

• Is CVSW (Cover Open Switch) operating normally?

- No Replace CVSW.

• Yes Failure of IC6 (MSM65917) in main control board.

A-7

The message "TONERLOW" remains displayed on the PC display.

• Is PS1 (Toner Sensor) operating normally?

- No Replace PS1.

• Yes Failure of IC6 (MSM65917) in main control board.

A-8

The message "TONERSNS" remains displayed on the PC display.

• Is PS1 (Toner Sensor) operating normally?

- No Replace PS1.

• Yes Failure of IC6 (MSM65917) in main control board.

B-1

Initialization error and not restored

- Replace IC2.
- OK?
- No Is the 10-MHz clock signal being put out to pin 3 of OCS1?
 - No Replace OSC1 (CST 10.0MTW).
- Yes Failure of IC6 (MSM65917)

B-2

Program ROM error

- Replace IC2.

B-3

Resident RAM error

- Are negative pulses being put out to Pin 4 , 23 (RAS0-N , CSA-N) of IC11?
 - No Failure of IC6 (MSM65917)
- Yes Are the signals at pins, 9 TO 12 , 14 TO 18 , 5 (DA00-P to DA09-P) of IC11 being changed?
 - No Failure of IC6 (MSM65917)
- Yes Replace IC11.

B-4

EEPROM error

- Replace IC4.
- OK?
- No Failure of IC6 (MSM65917)

B-5

Fuser error

- Is the heater on?
 - No Is the voltage at Pin 40 (HEATON-P) of IC6(MSM65917) 5V?
 - Yes Replace Q3 or IC20
- No Failure of IC6 (MSM65917)

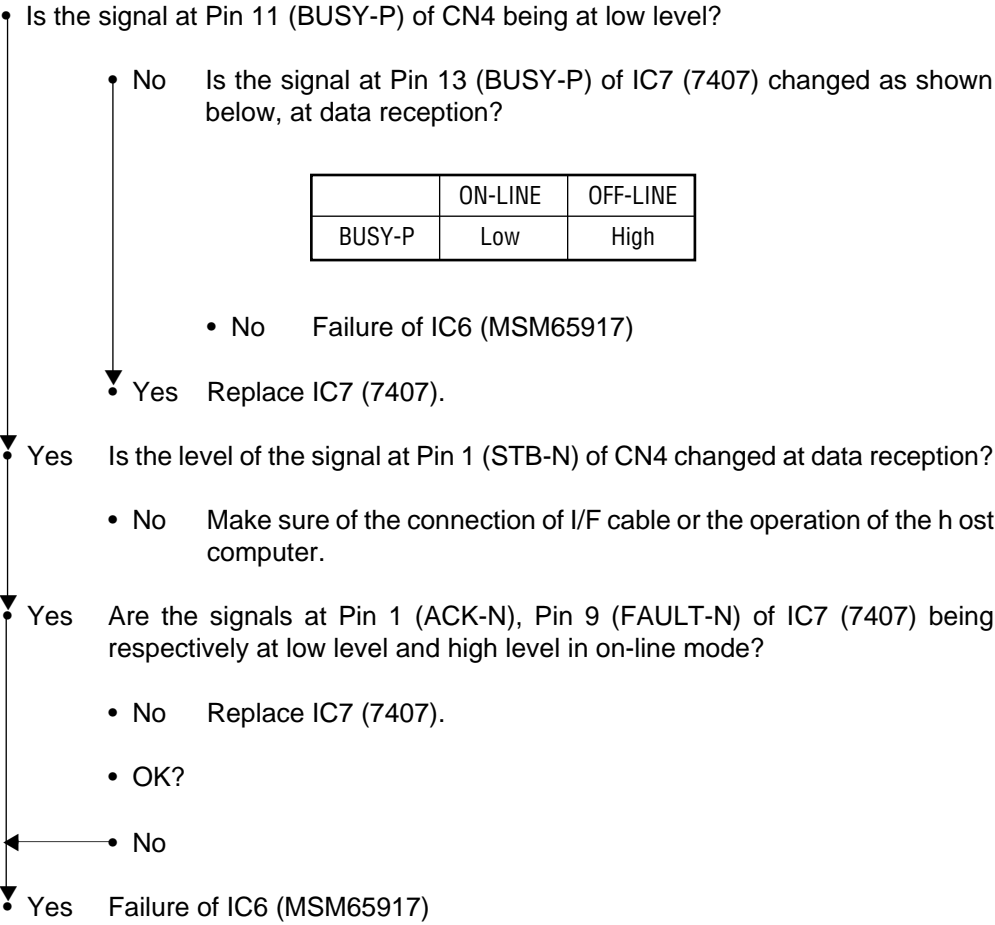
B-6

Watchdog timer timeout occurs frequently.

- Replace IC2.
- OK?
- No Failure of IC6 (MSM65917)

B-7

Data sent through the Parallel I/F cannot be received.



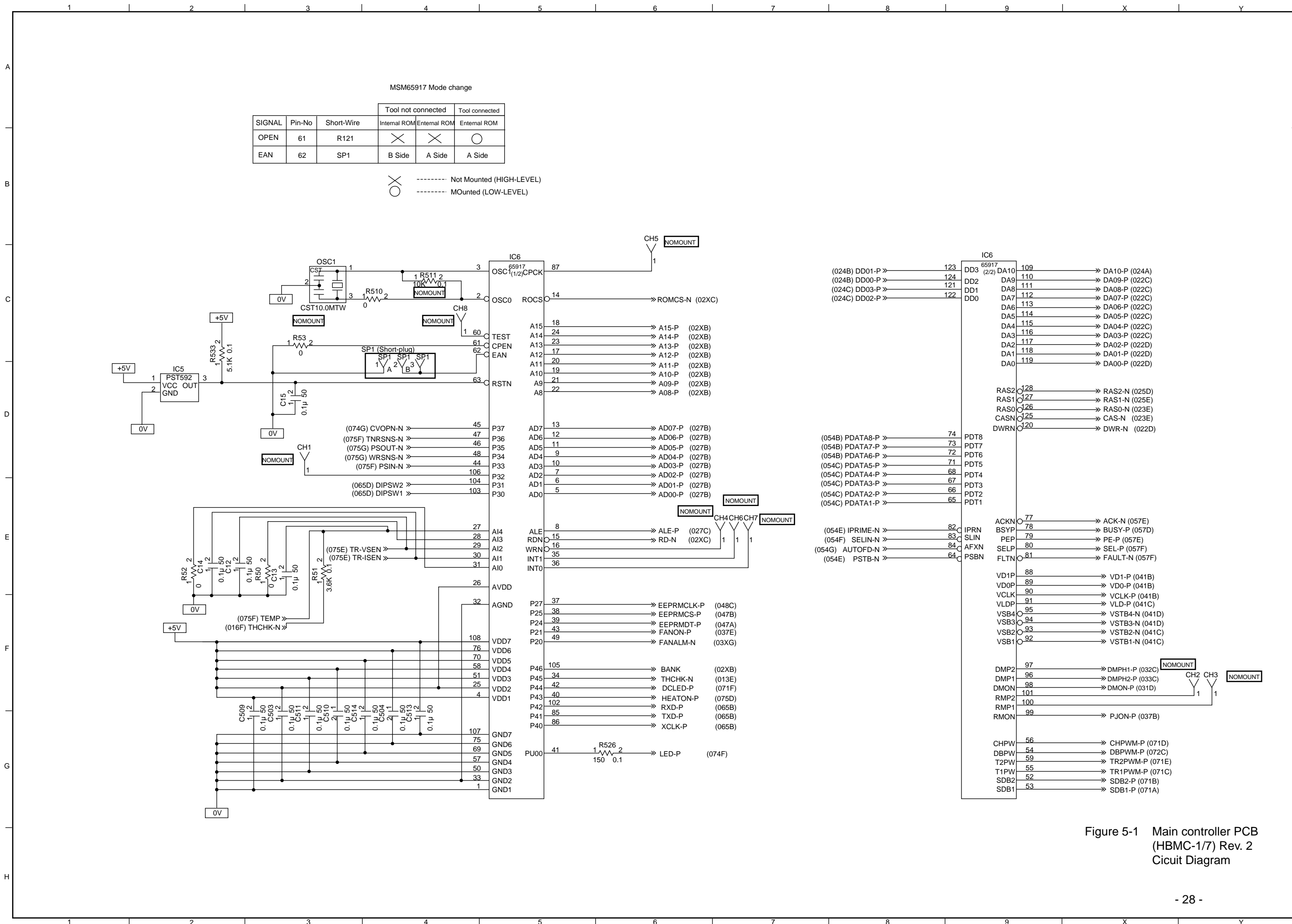


Figure 5-1 Main controller PCB (HBMC-1/7) Rev. 2 Circuit Diagram

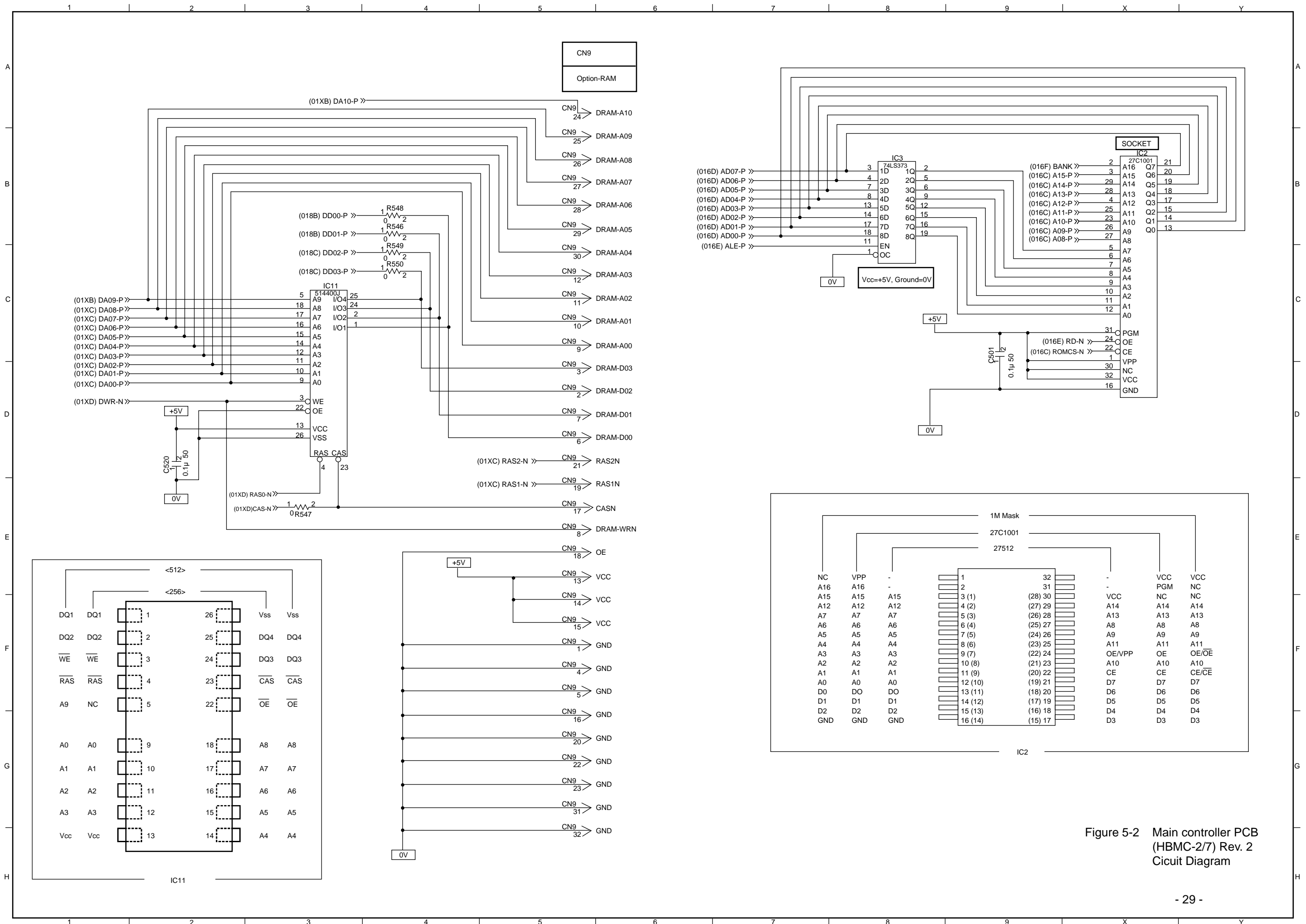


Figure 5-2 Main controller PCB (HBMC-2/7) Rev. 2 Circuit Diagram

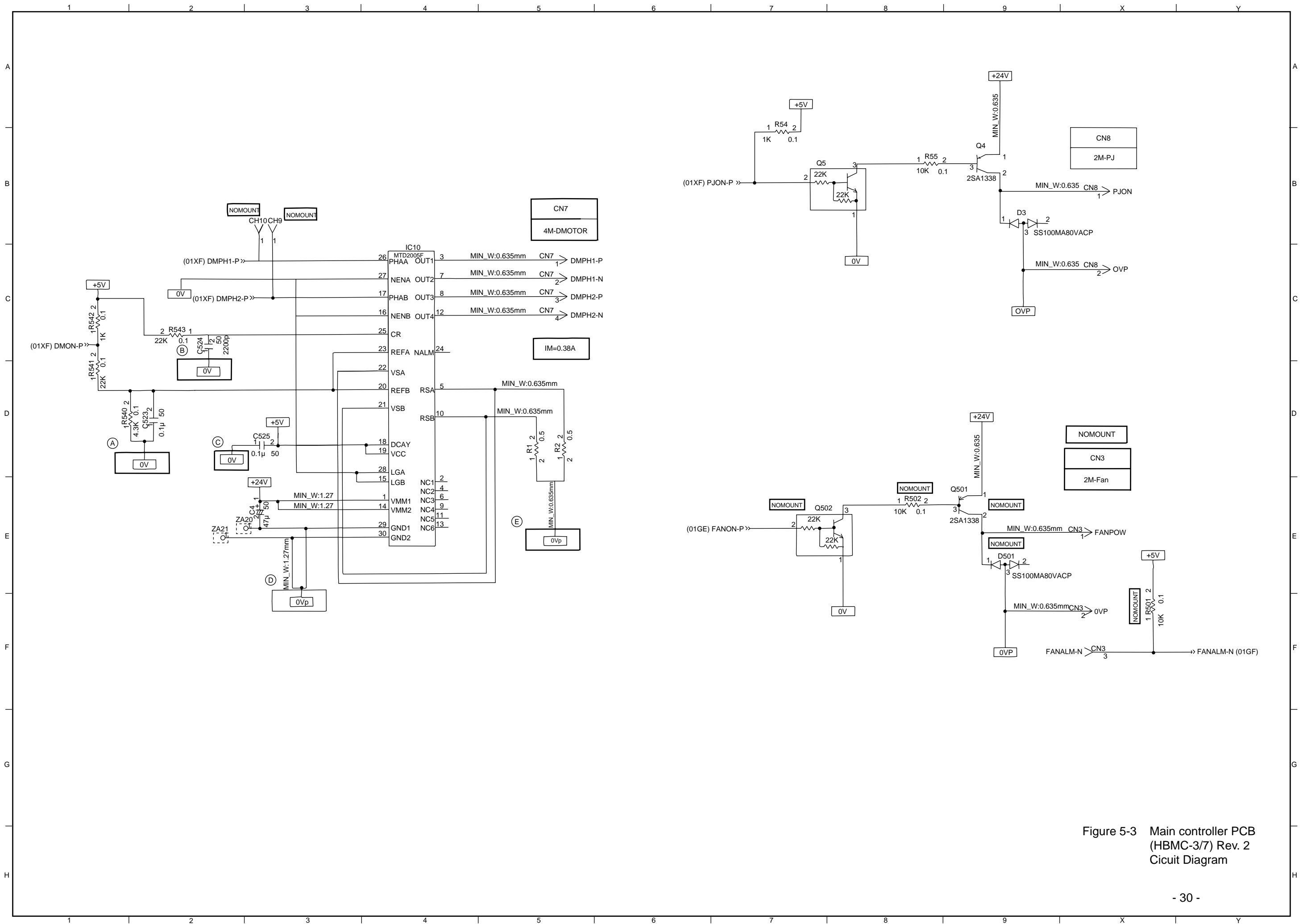


Figure 5-3 Main controller PCB (HBMC-3/7) Rev. 2 Circuit Diagram

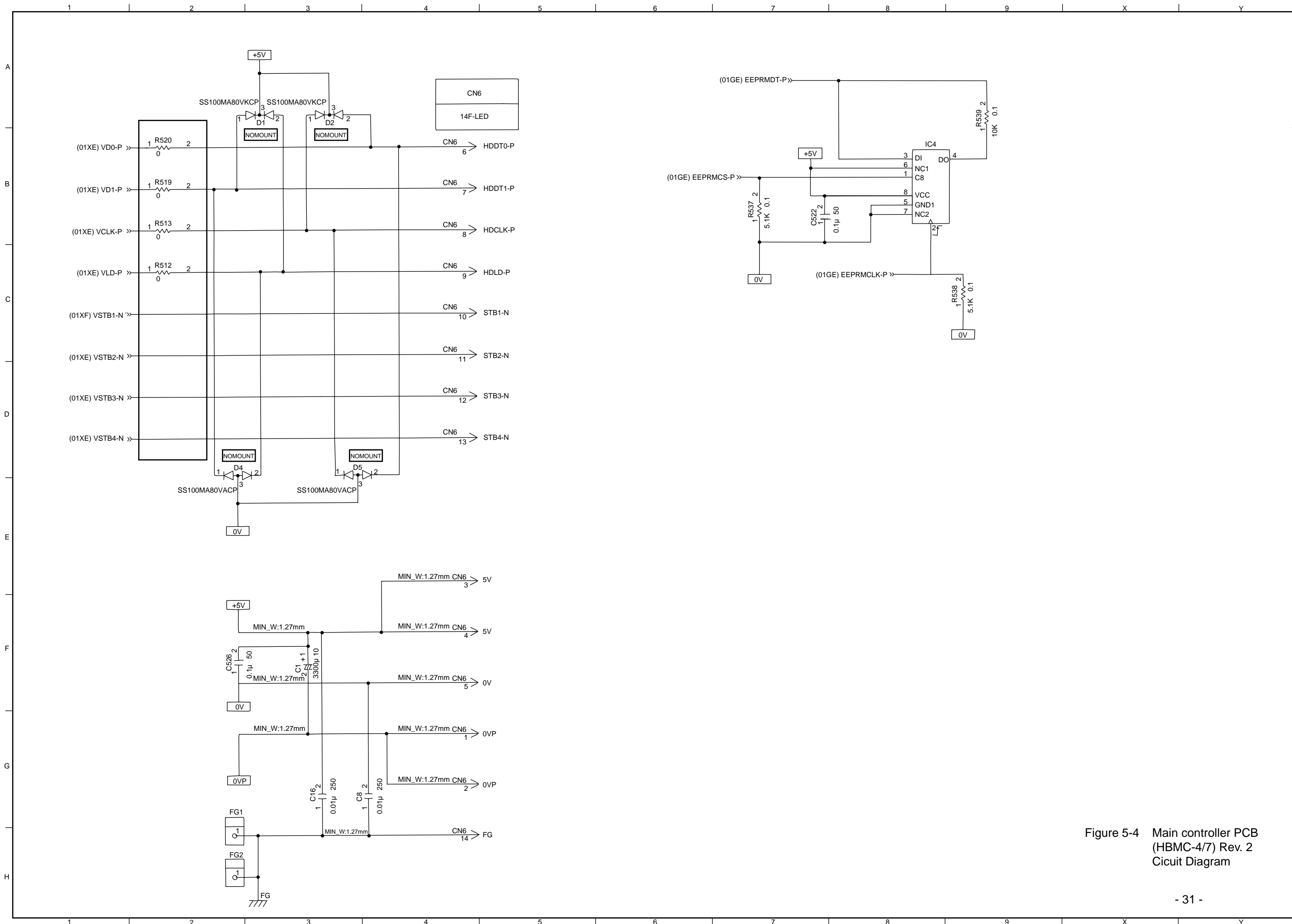


Figure 5-4 Main controller PCB (HBMC-4/7) Rev. 2 Circuit Diagram

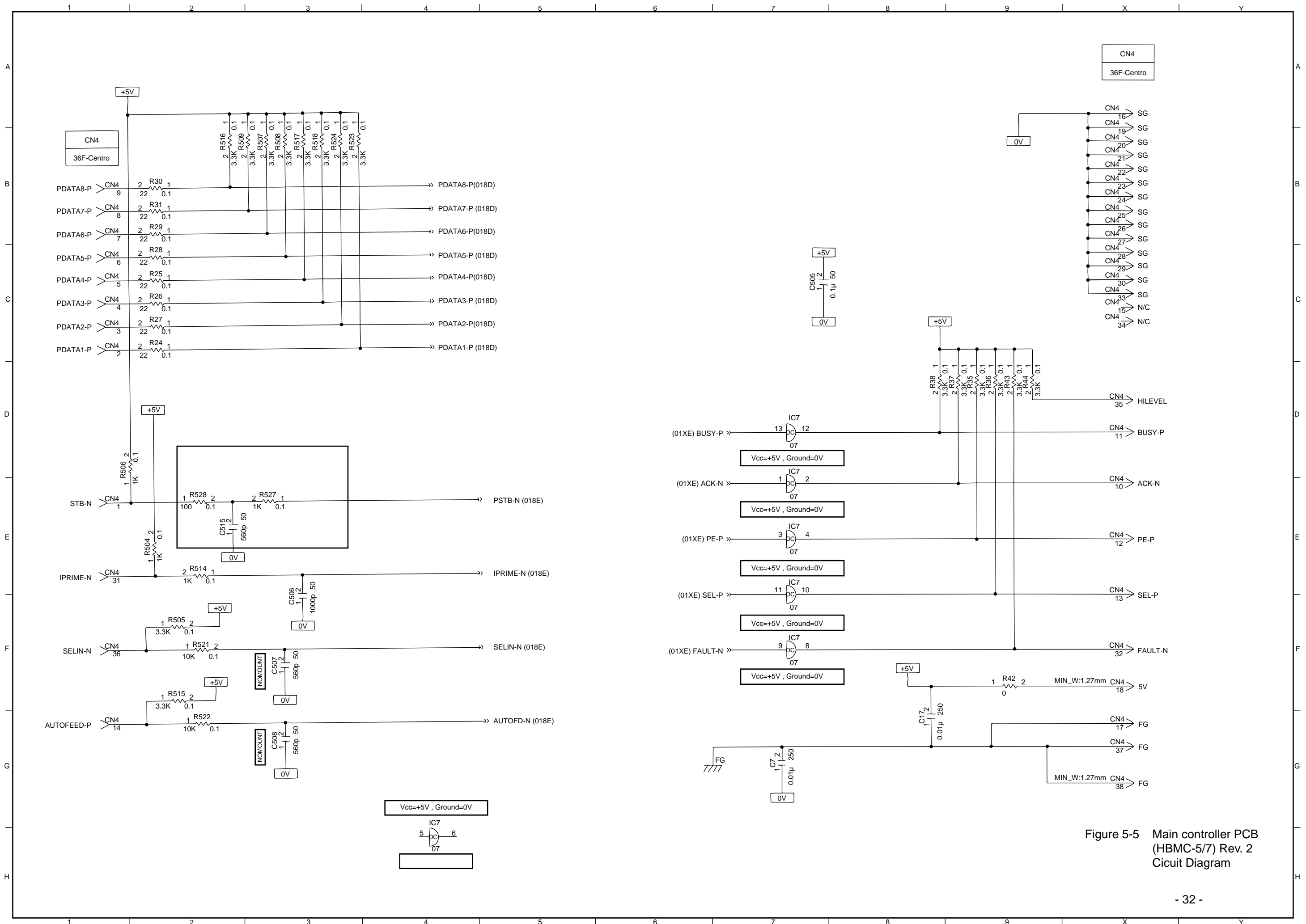


Figure 5-5 Main controller PCB (HBMC-5/7) Rev. 2 Circuit Diagram

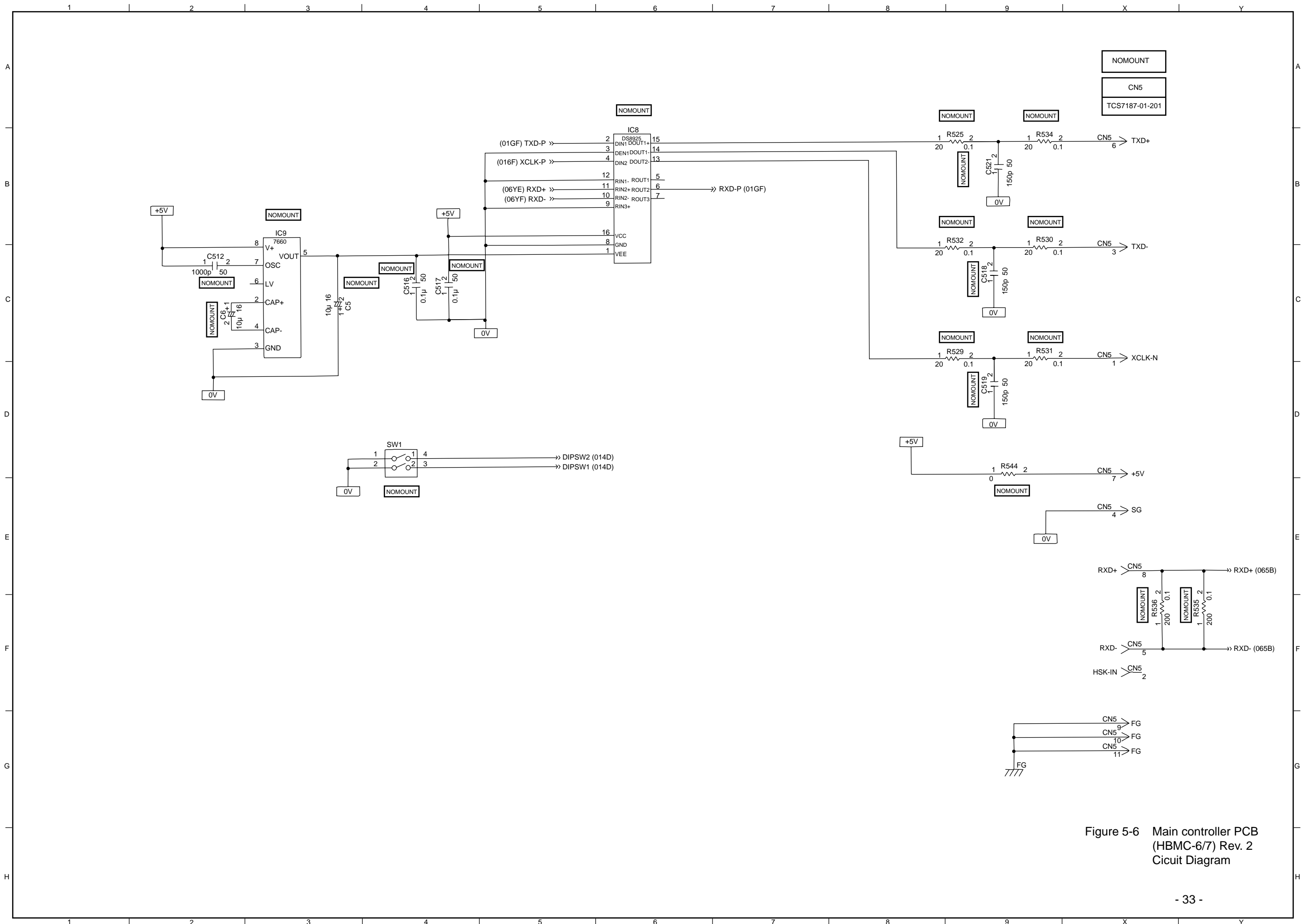


Figure 5-6 Main controller PCB (HBMC-6/7) Rev. 2 Circuit Diagram

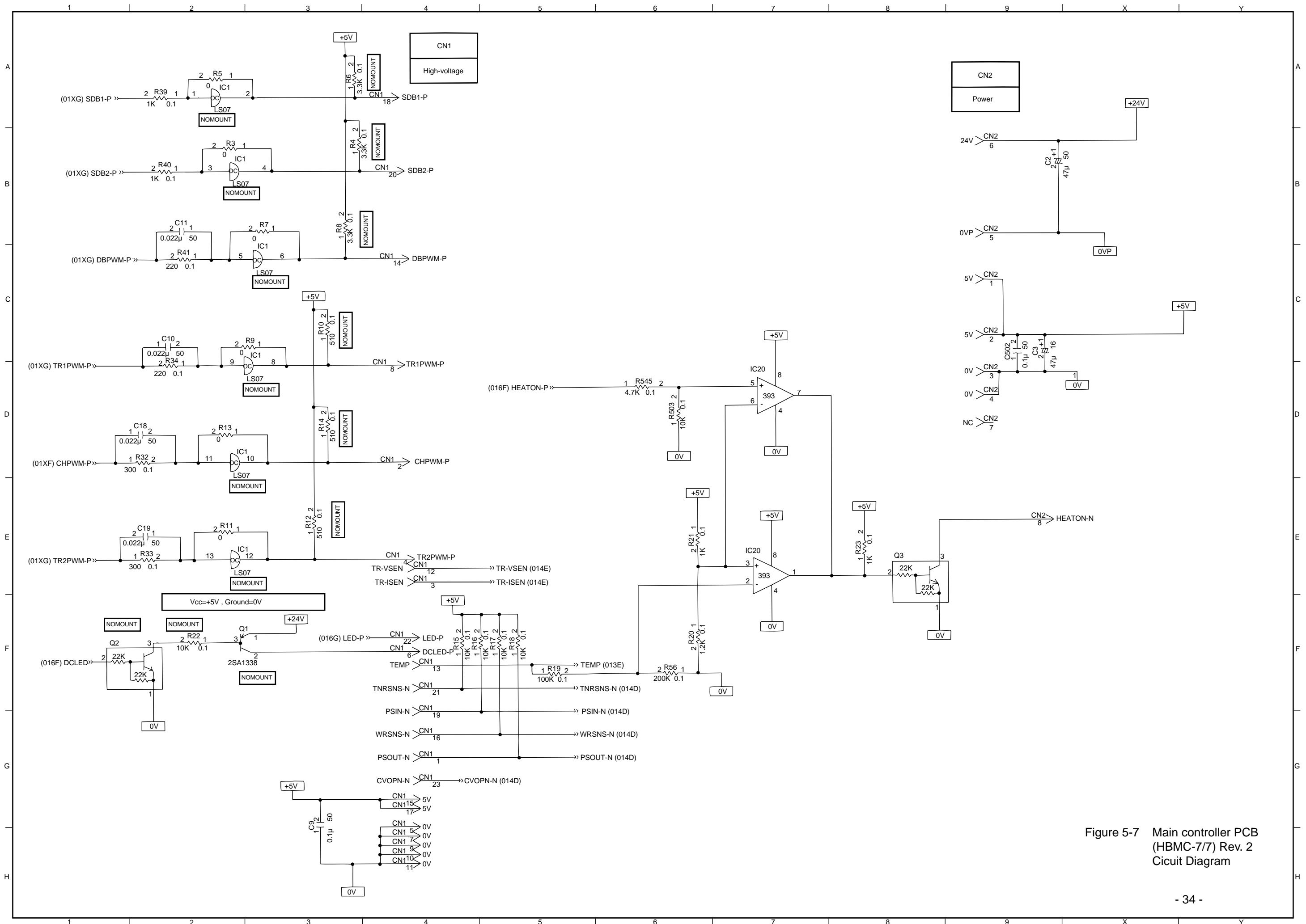


Figure 5-7 Main controller PCB (HBMC-7/7) Rev. 2 Circuit Diagram

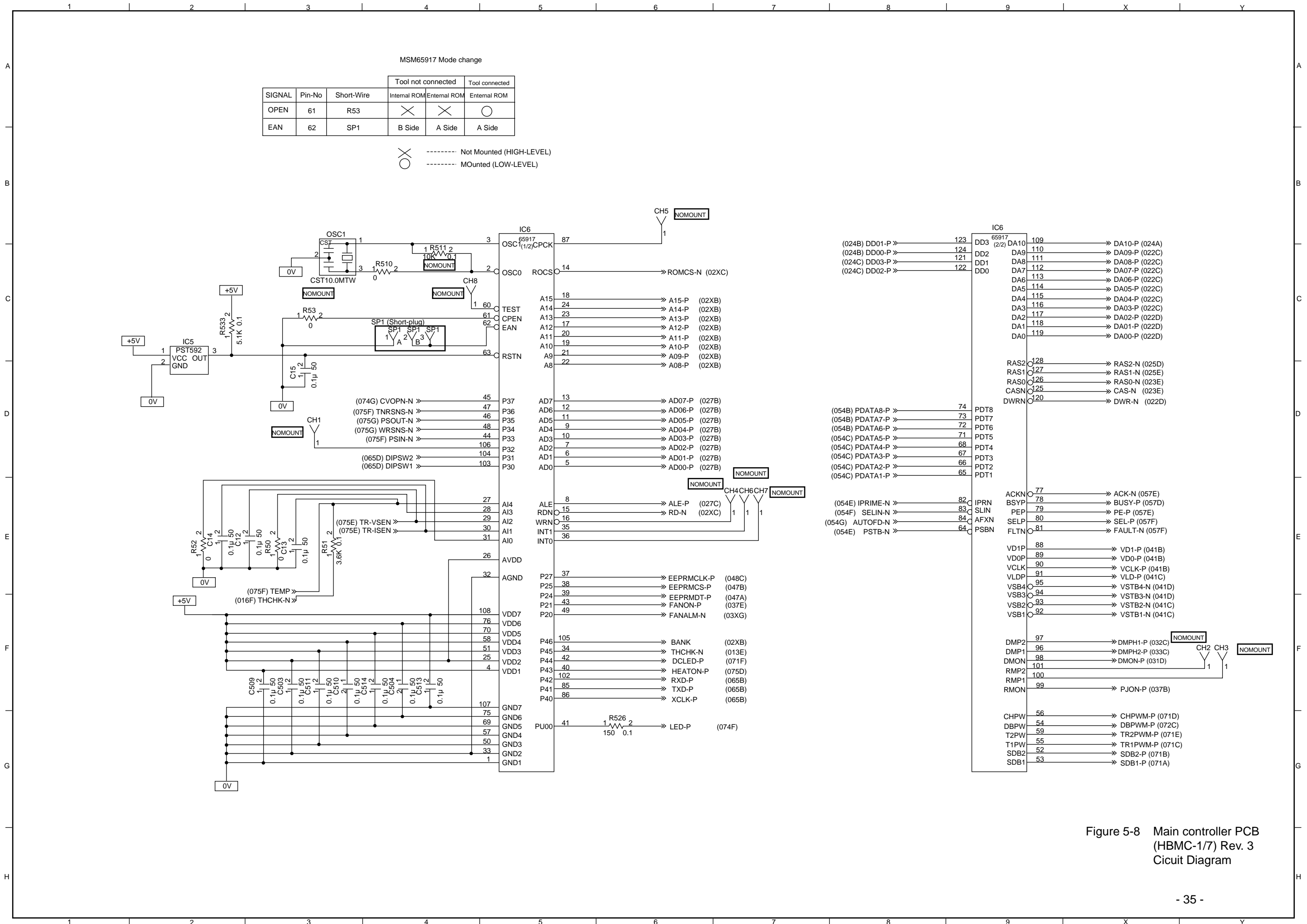


Figure 5-8 Main controller PCB (HBMC-1/7) Rev. 3 Circuit Diagram

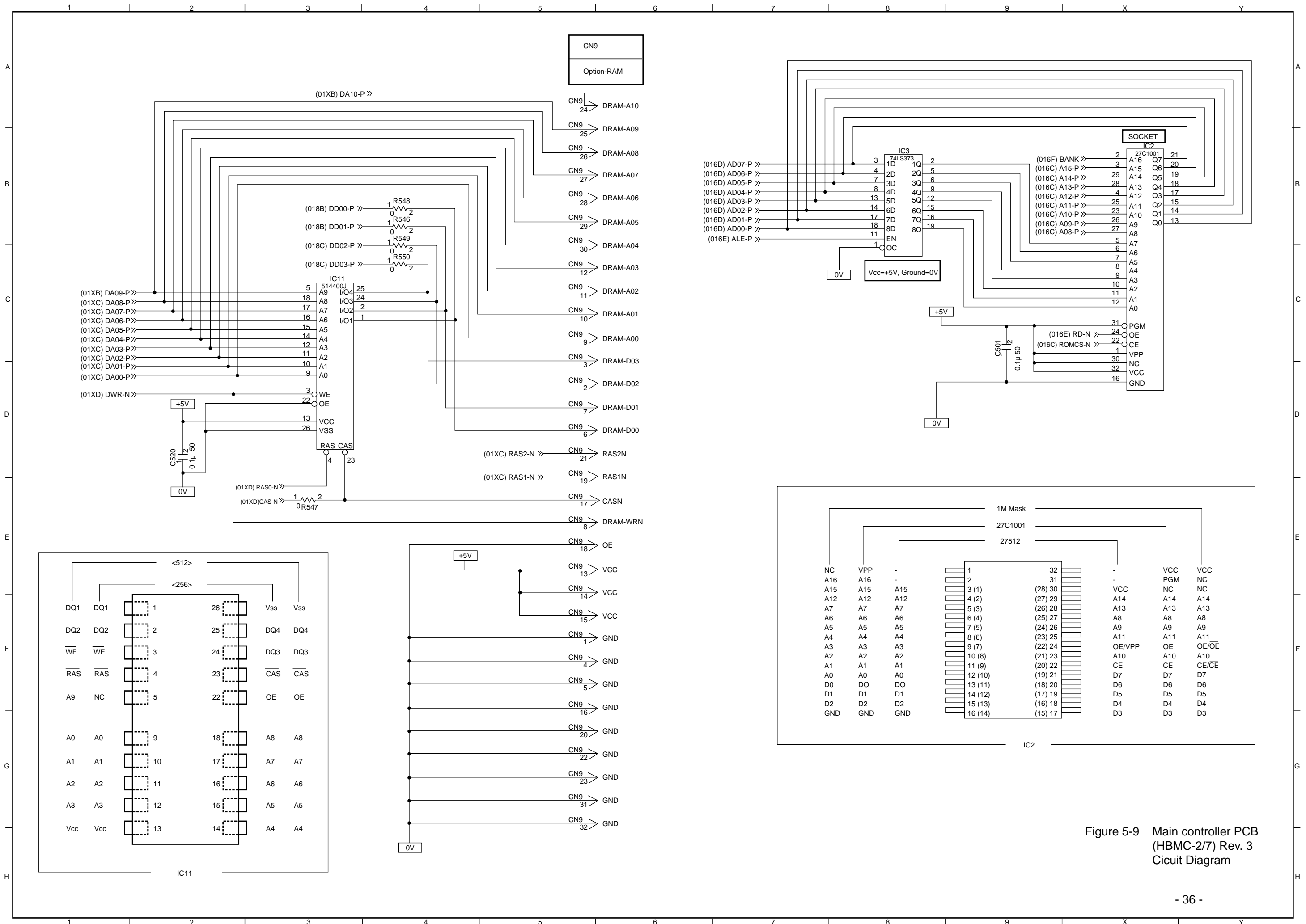


Figure 5-9 Main controller PCB (HBMC-2/7) Rev. 3 Circuit Diagram

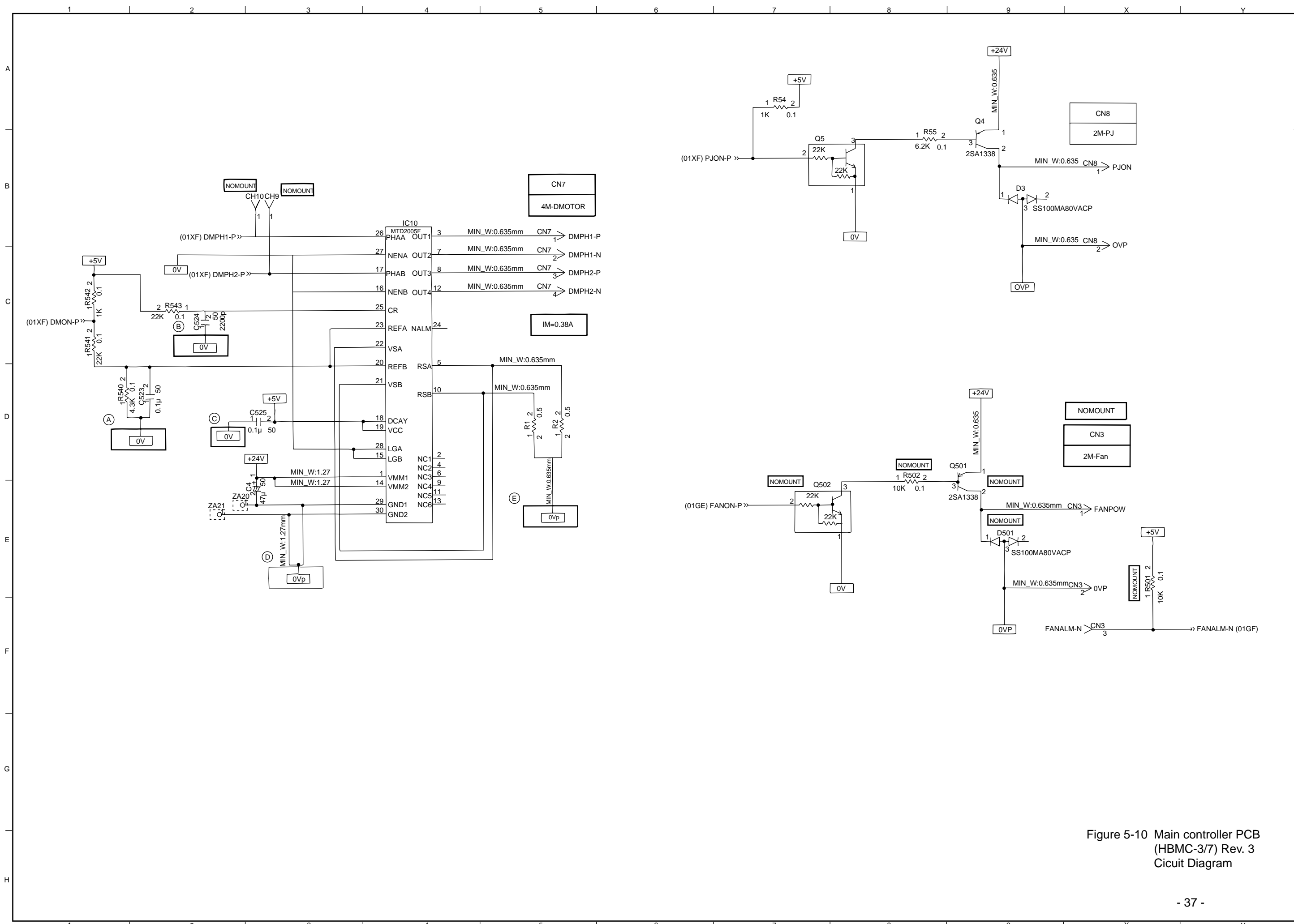


Figure 5-10 Main controller PCB
(HBMC-3/7) Rev. 3
Circuit Diagram

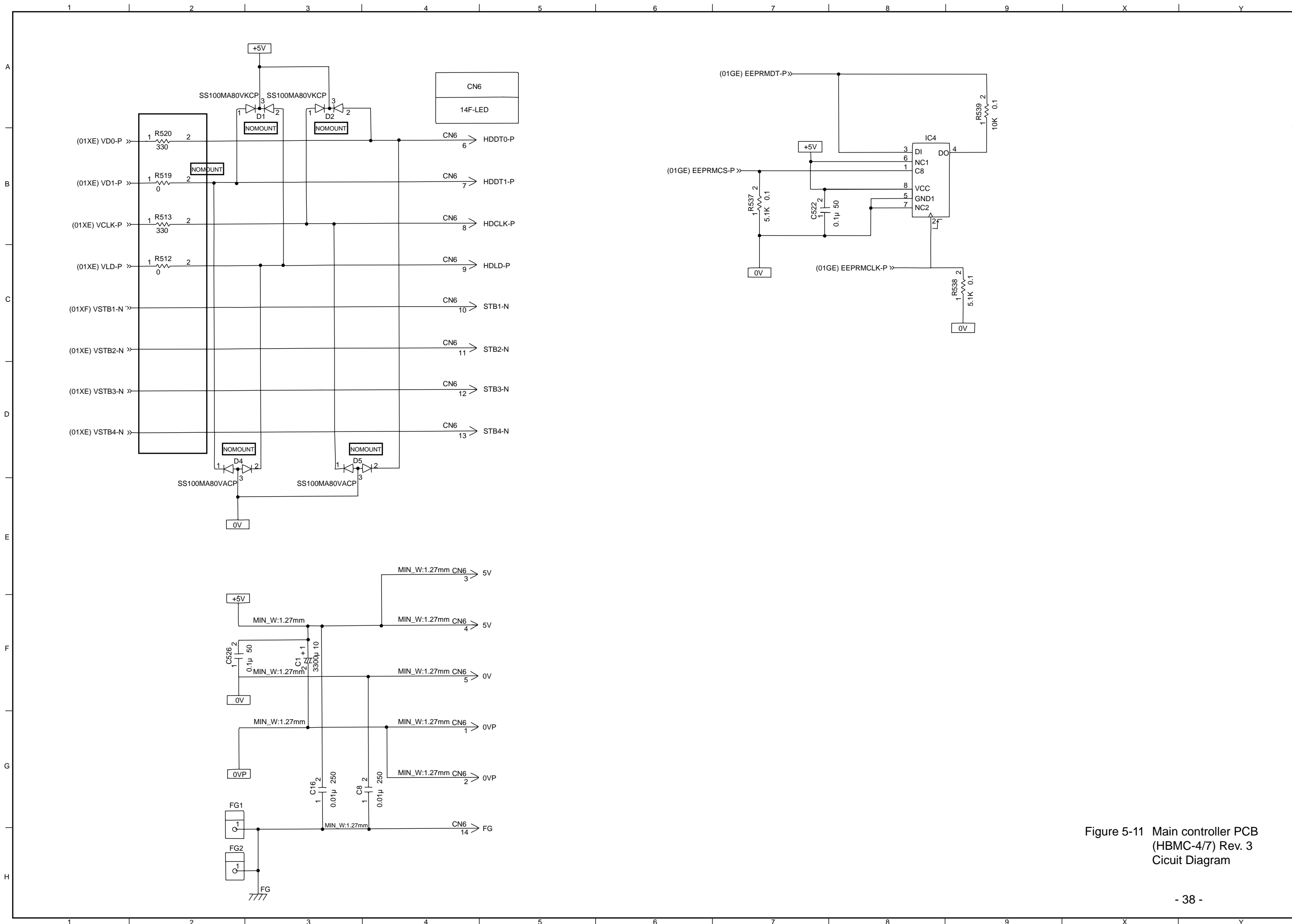


Figure 5-11 Main controller PCB
(HBMC-4/7) Rev. 3
Circuit Diagram

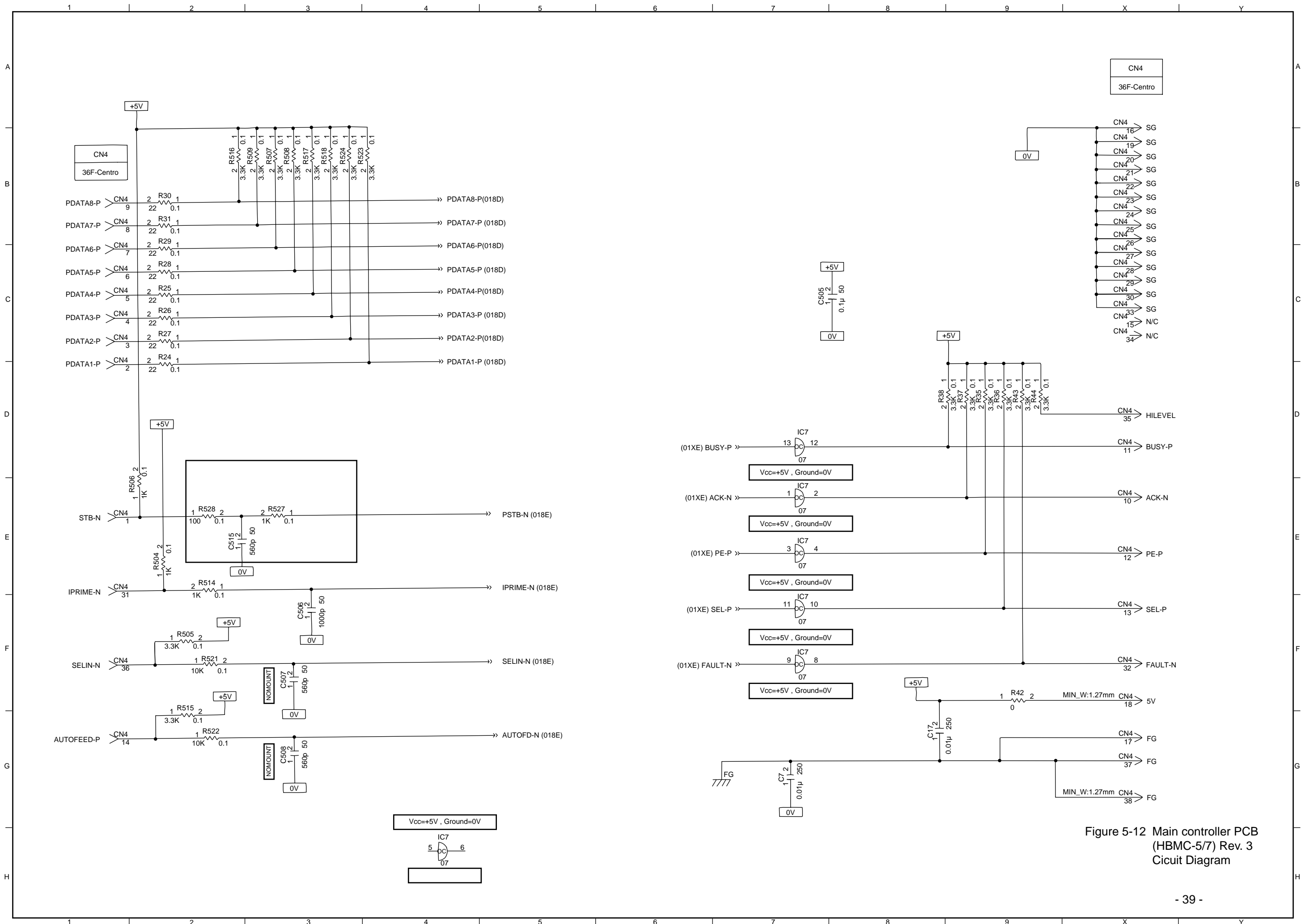


Figure 5-12 Main controller PCB (HBMC-5/7) Rev. 3 Circuit Diagram

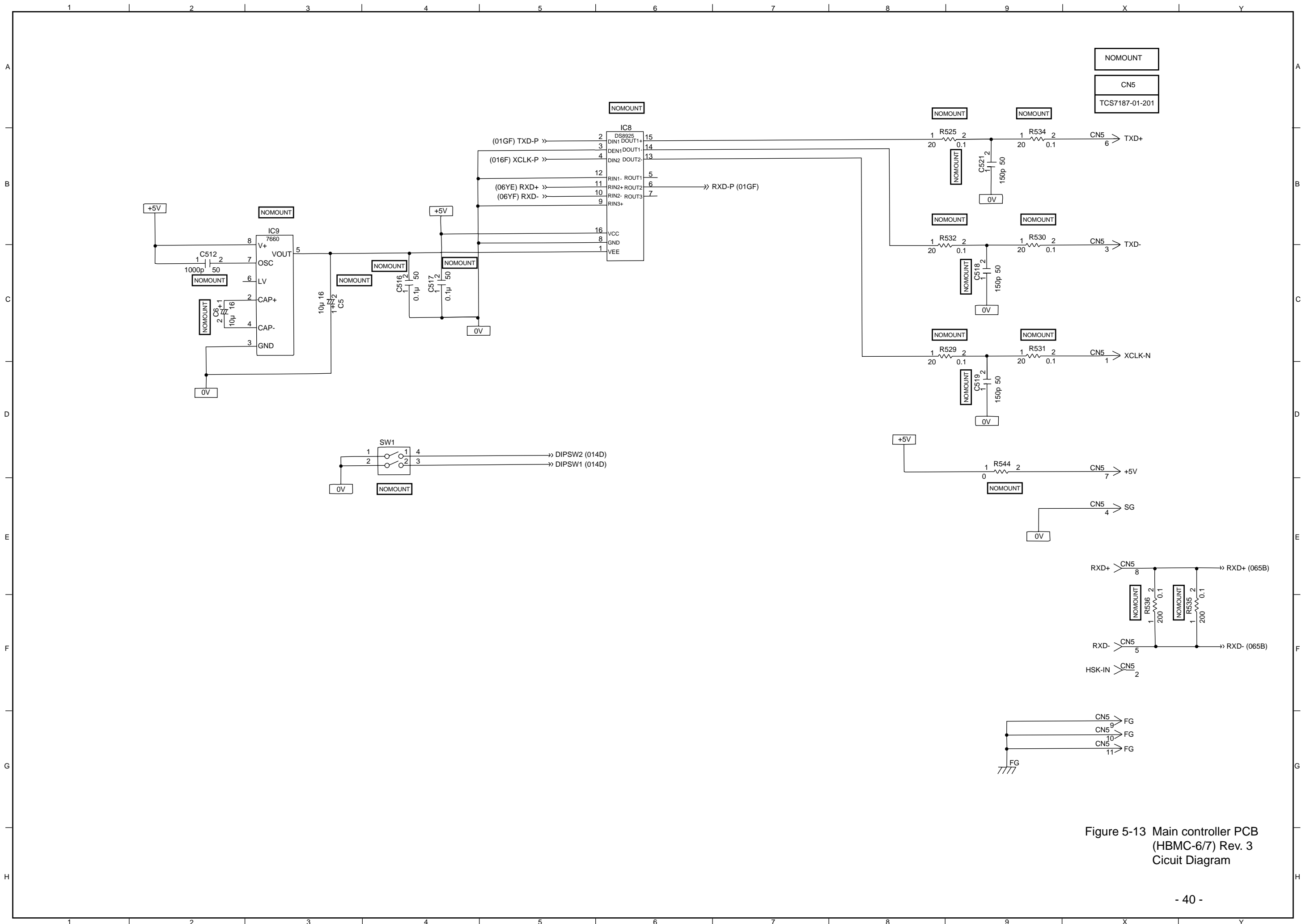


Figure 5-13 Main controller PCB
(HBMC-6/7) Rev. 3
Circuit Diagram

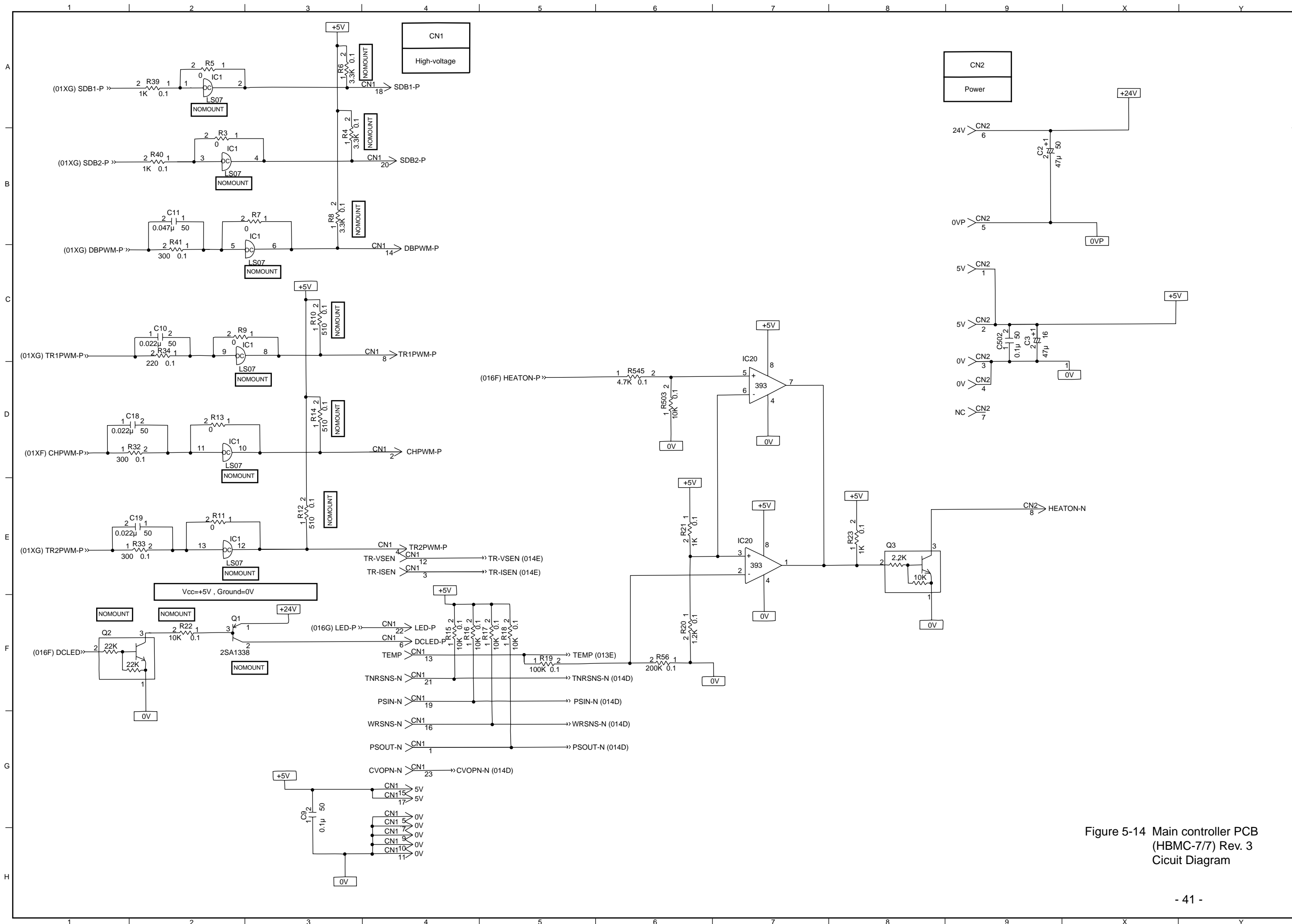


Figure 5-14 Main controller PCB (HBMC-7/7) Rev. 3 Circuit Diagram

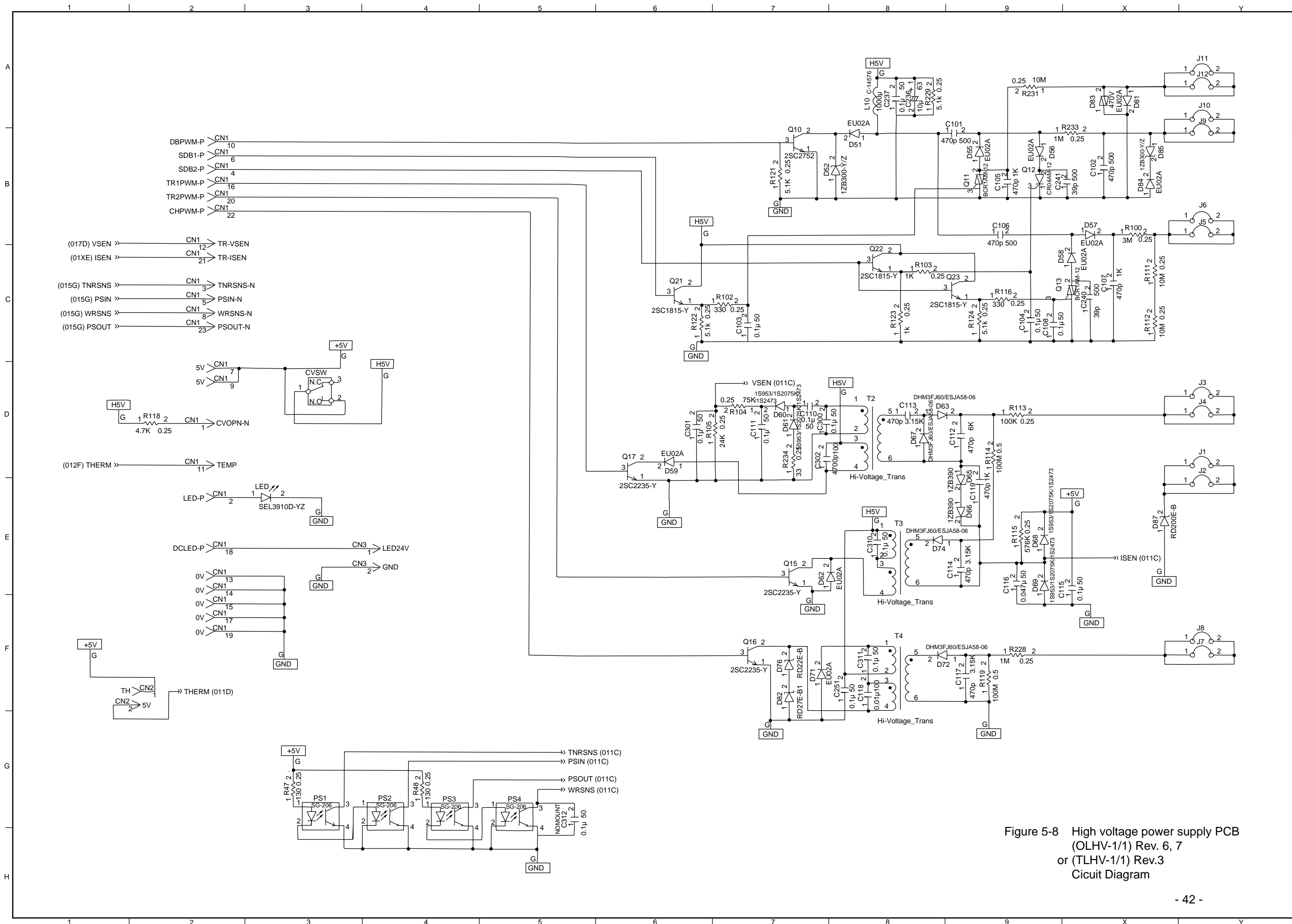
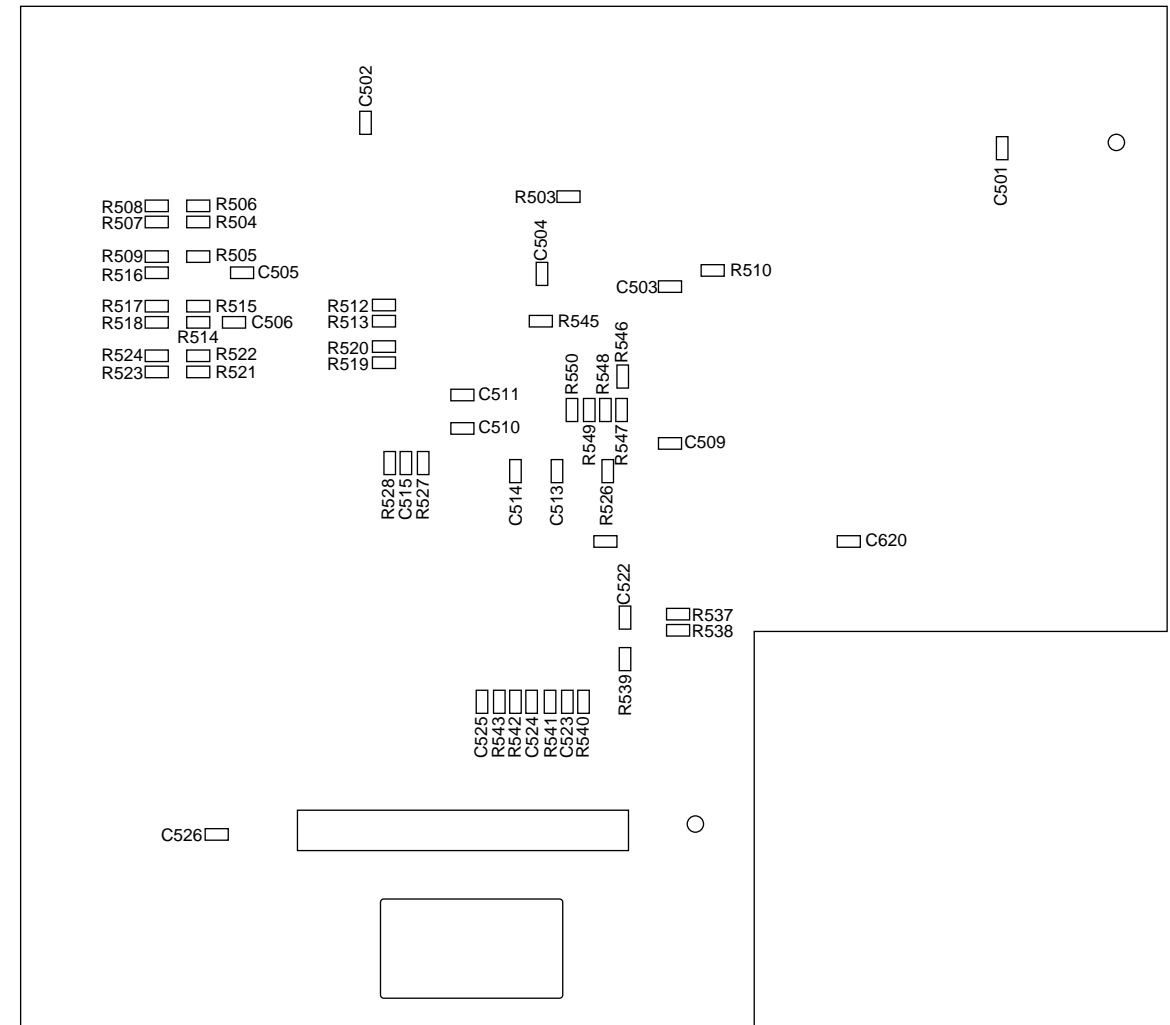
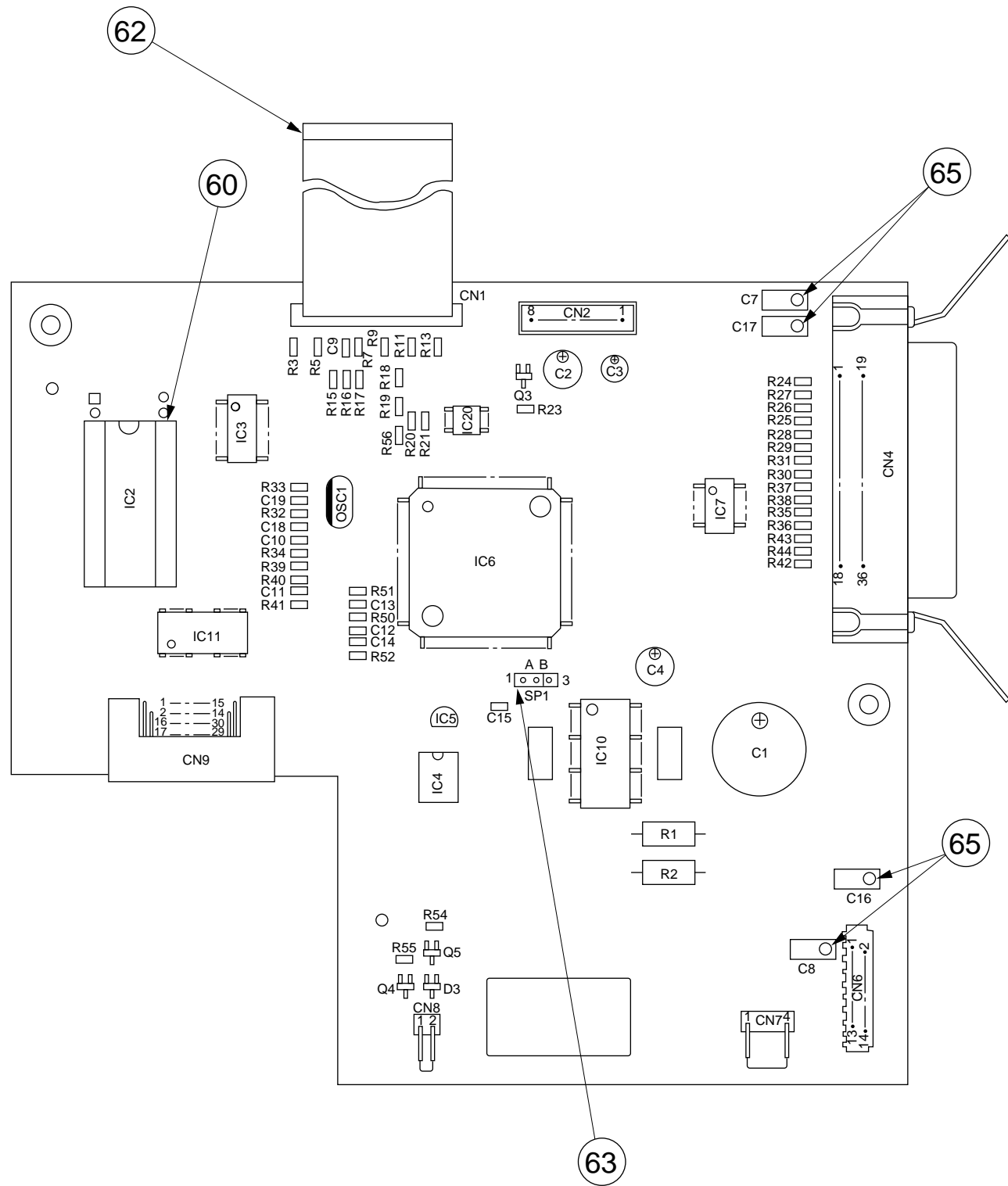


Figure 5-8 High voltage power supply PCB (OLHV-1/1) Rev. 6, 7 or (TLHV-1/1) Rev.3 Circuit Diagram

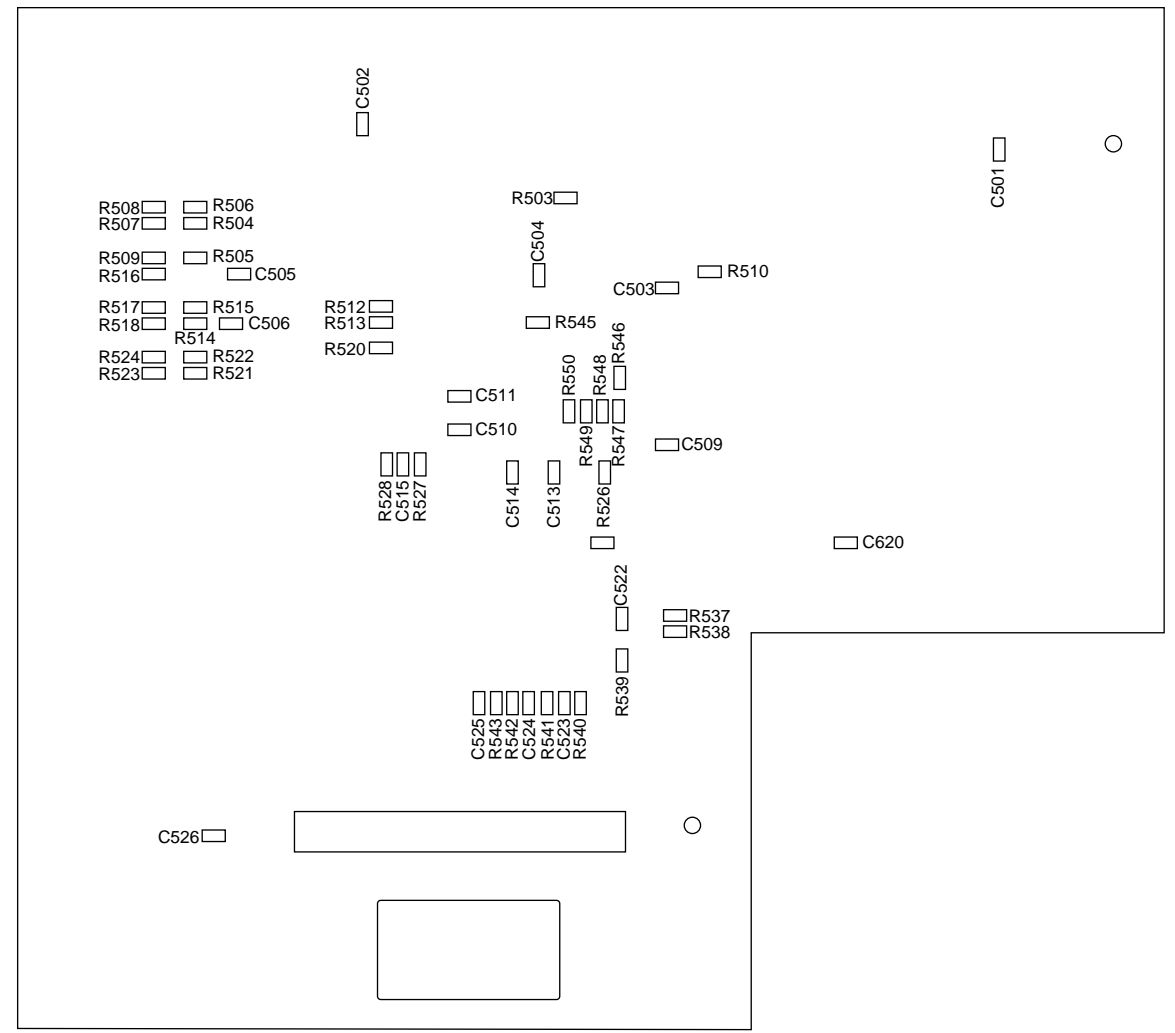
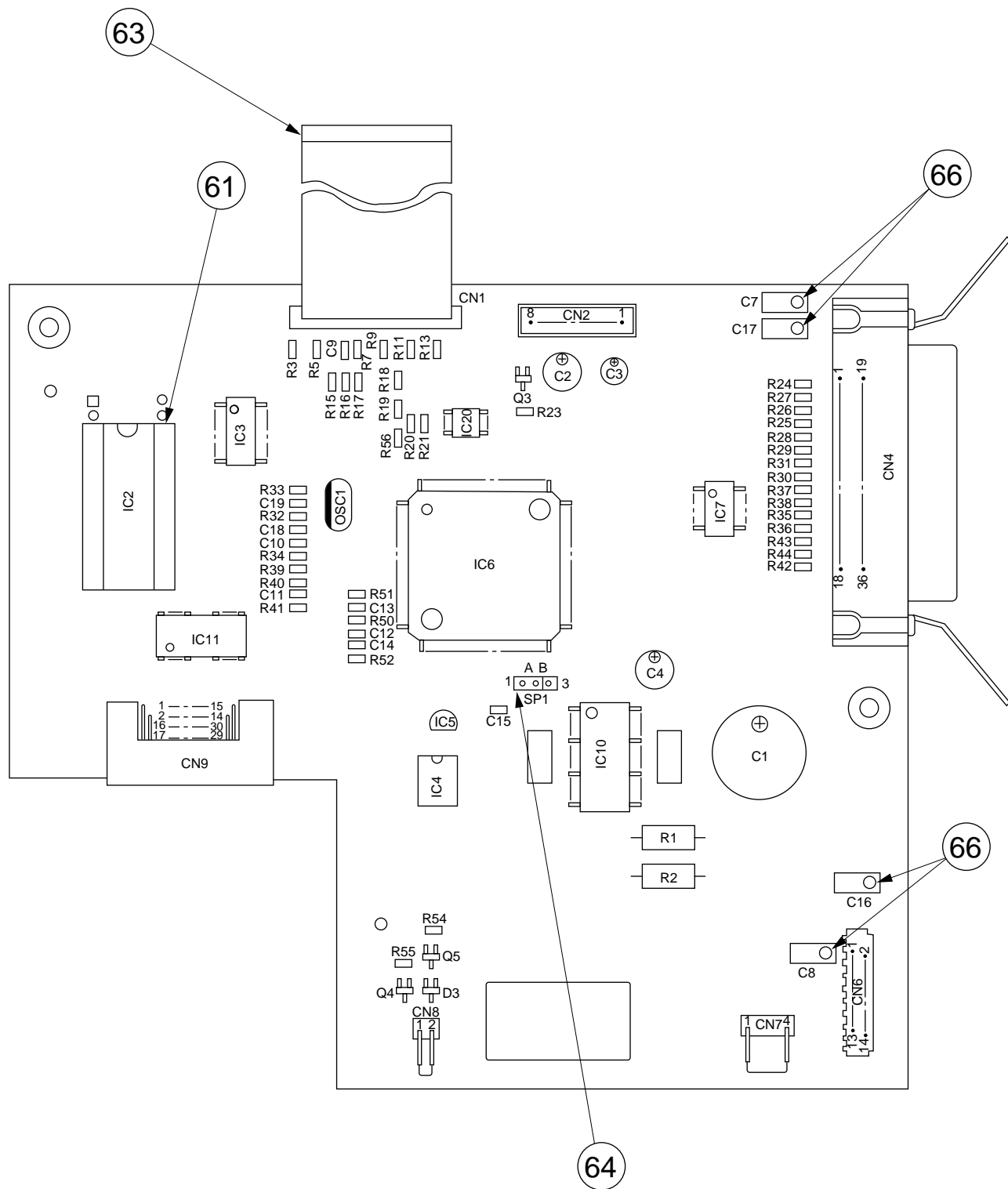
COMPONENT PARTS LIST

Drawing List

Main Control Board	(HBMC PCB, Rev. 2)	4YA4121-2516G002
Main Control Board	(HBMC PCB, Rev. 3)	4YA4121-2516G002
High Voltage Power Supply Board	(OLHV PCB, Rev.6)	4YA4130-1004G1
High Voltage Power Supply Board	(OLHV PCB, Rev.7) or (TLHV PCB, Rev.2)	4YA4130-1004G1 4YA4130-1024G1



**HBMC Printed Circuit Board
REV.2
(4YA4121-2516G2-1/2)**



**HBMC Printed Circuit Board
REV.3
(4YA4121-2516G2-1/2)**

**HBMC Printed Circuit Board Rev. 2
(4YA4121-2516G2-2/2-1/4)**

REF. NO.	SYMBOL	TYPE/NAME	PART NO.	Q'TY	REMARKS
1	D3	SS100MA80VACP Signal Diode	611A0000N0001	1	
2					
3	R24-R31	RM73B2A220J RN Resistor	323A5003J0220	8	
4	R528	RM73B2A101J RN Resistor	323A5003J0101	1	
5	R526	RM73B2A151J RN Resistor	323A5003J0151	1	
6	R3,R5,R7,R9,R11,R13, R42,R50,R52,R510,R512 R513,R519,R520, R546-R550	2125JPW Chip Jumper	323A5003P0001	19	
7	R34,R41	RM73B2A221J RN Resistor	323A5003J0221	2	
8	R32,R33	RM73B2A301J RN Resistor	323A5003J0301	2	
9	R21,R23,R39,R40,R54 R504,R506,R514,R527	RM73B2A102J RN Resistor	323A5003J0102	9	
10	R533,R537,R538	RM73B2A512J RN Resistor	323A5003J0512	3	
11	R15-R18,R55,R503 R521,R522,R539	RM73B2A103J RN Resistor	323A5003J0103	9	
12	R543	RM73B2A223J RN Resistor	323A5003J0223	1	
13	R19	RM73B2A104J RN Resistor	323A5003J0104	1	
14	R35-R38,R43,R44, R505,R507-R509, R515-R518,R523, R524	RM73B2A332J RN Resistor	323A5003J0332	16	
15	R20	RM73B2A122J RN Resistor	323A5003J0122	1	
16	R1,R2	MSF1/2B2 ΩJ RS Resistor	324A1001J0209	2	

**HBMC Printed Circuit Board Rev. 2
(4YA4121-2516G2-2/2-2/4)**

REF. NO.	SYMBOL	TYPE/NAME	PART NO.	Q'TY	REMARKS
17	R545	RM73B2A472J RN Resistor	323A5003J0472	1	
18	R542	RM73B2A102F RN Resistor	323A5003F0102	1	
19	R540	RM73B2A432F RN Resistor	323A5003F0432	1	
20	R51	RM73B2A362F RN Resistor	323A5003F0362	1	
21	R541	RM73B2A223F RN Resistor	323A5003F0223	1	
22	R56	RM73B2A204J RN Resistor	323A5003P0204	1	
23	C515	CC2012SL1H561J CC Capacitor	50V 303A3007K0561	1	
24	C506	CK2012B1H102K CK Capacitor	50V 303A6008K3102	1	
25	C10,C11,C18,C19	CK2012B1H223K CK Capacitor	50V 303A6008K3223	4	
26	C9,C12-C15, C501-C505, C509-C511,C513,C514 C520,C522,C523,C525, C526	CK2012F1H104Z CK Capacitor	50V 303A6008Z3104	20	
27	C524	CK2012B1H222K CK Capacitor	50V 303A6008K3222	1	
28	C7,C8,C16,C17	TCK45F2E103ZYA CK Capacitor	250V 10000pF 302A4027Z5103	4	
29	C1	UVS1A332MHA CE Capacitor	10V 3300pF 304A1137A1332	1	
30	C2,C4	KME50VB-47 CE Capacitor	50V 47UF 304A1115H1470	2	
31	C3	SME16VB-47-0A CE Capacitor	16V 47UF 304A1123C1470	1	
32					
33	IC3	SN74LS373NS BIP Digital IC	700A0550N0373	1	

**HBMC Printed Circuit Board Rev. 2
(4YA4121-2516G2-2/2-3/4)**

REF. NO.	SYMBOL	TYPE/NAME	PART NO.	Q'TY	REMARKS
34	IC4	93LC46A-NW MOS-EEPROM	816A0303M0000	1	
35	IC11	514256JP-70 MOS-D-RAM	8020003N0601	1	
36	IC10	MTD2005F BIP Linear IC	720A1816N0001	1	
37	IC7	7407FP BIP Digital IC	700A0003N0007	1	
38	IC5	PST592D-2 BIP Linear IC	720A4037M0015	1	
39	IC20	UPC393G2 BIP Linear IC	720A0523N0011	1	
40	IC6	MSM65917-012GS-K MOS-CPU(ROM)	8530193N0012	1	
41					
42					
43					
44					
45					
46	SP1	IMSA9202B-1-03Z013GF PC Connector	224A4082P0030	1	
47	CN1	00-5062-301-023-000 PC Connector	224A5114P0230	1	
48	CN2	B8B-XH-A PC Connector	224A3530P0080	1	
49	CN6	ZC-014 PC Connector	224A3590P0140	1	
50	CN8	00-8263-0211-00-000 PC Connector	224A3358P0020	1	
51	CN4	36FAGL-M3 Square Type Connector	220A0122P0360	1	

**HBMC Printed Circuit Board Rev. 2
(4YA4121-2516G2-2/2-4/4)**

REF. NO.	SYMBOL	TYPE/NAME	PART NO.	Q'TY	REMARKS
52	CN7	00-8236-0411-00-000 PC Connector	224A3358P0040	1	
53	CN9	TX25-30P-LT-H1 PC Connector	224A4172P0300	1	
54					
55	Q3,Q5	DTC124EK NPN-HF-TR	602A1035N0004	2	
56	Q4	2SA1338 PNP-HF-TR	600A1032N0010	1	
57					
58	OSC1	CST10.0MTW Oscilator	381A1045B0014	1	
59					
60		328-1G7 IC Socket	245A1058P0280	1	
61					
62		TW-VF-23-210-B Flexible Cable	238A1123P0002	1	
63		IMSA-9206H-GF PC Connector	224A4080P0020	1	
64					
65		TUBE (black) L=4	4PP4010-1002P004	4	

**HBMC Printed Circuit Board Rev. 3
(4YA4121-2516G2-2/2-1/4)**

REF. NO.	SYMBOL	TYPE/NAME	PART NO.	Q'TY	REMARKS
1	D3	SS100MA80VACP Signal Diode	611A0000N0001	1	
2					
3	R513,R520	RM73B2A331J RN Resistor	323A5003J0331	2	
4	R55	RM73B2A622J RN Resistor	323A5003J0622	1	
5	R24-R31	RM73B2A220J RN Resistor	323A5003J0220	8	
6	R528	RM73B2A101J RN Resistor	323A5003J0101	1	
7	R526	RM73B2A151J RN Resistor	323A5003J0151	1	
8	R3,R5,R7,R9,R11,R13 R42,R50,R52,R510,R512, R546-R550	2125JPW Chip Jumper	323A5003P0001	16	
9	R34	RM73B2A221J RN Resistor	323A5003J0221	1	
10	R32,R33,R41	RM73B2A301J RN Resistor	323A5003J0301	3	
11	R21,R23,R39,R40,R54, R504,R506,R514,R527	RM73B2A102J RN Resistor	323A5003J0102	9	
12	R533,R537,R538	RM73B2A512J RN Resistor	323A5003J0512	3	
13	R15-R18,R503,R521, R522,R539	RM73B2A103J RN Resistor	323A5003J0103	8	
14	R543	RM73B2A223J RN Resistor	323A5003J0223	1	
15	R19	RM73B2A104J RN Resistor	323A5003J0104	1	
16	R35-R38,R43,R44, R505,R507-R509, R515-R518,R523, R524	RM73B2A332J RN Resistor	323A5003J0332	16	

**HBMC Printed Circuit Board Rev. 3
(4YA4121-2516G2-2/2-2/4)**

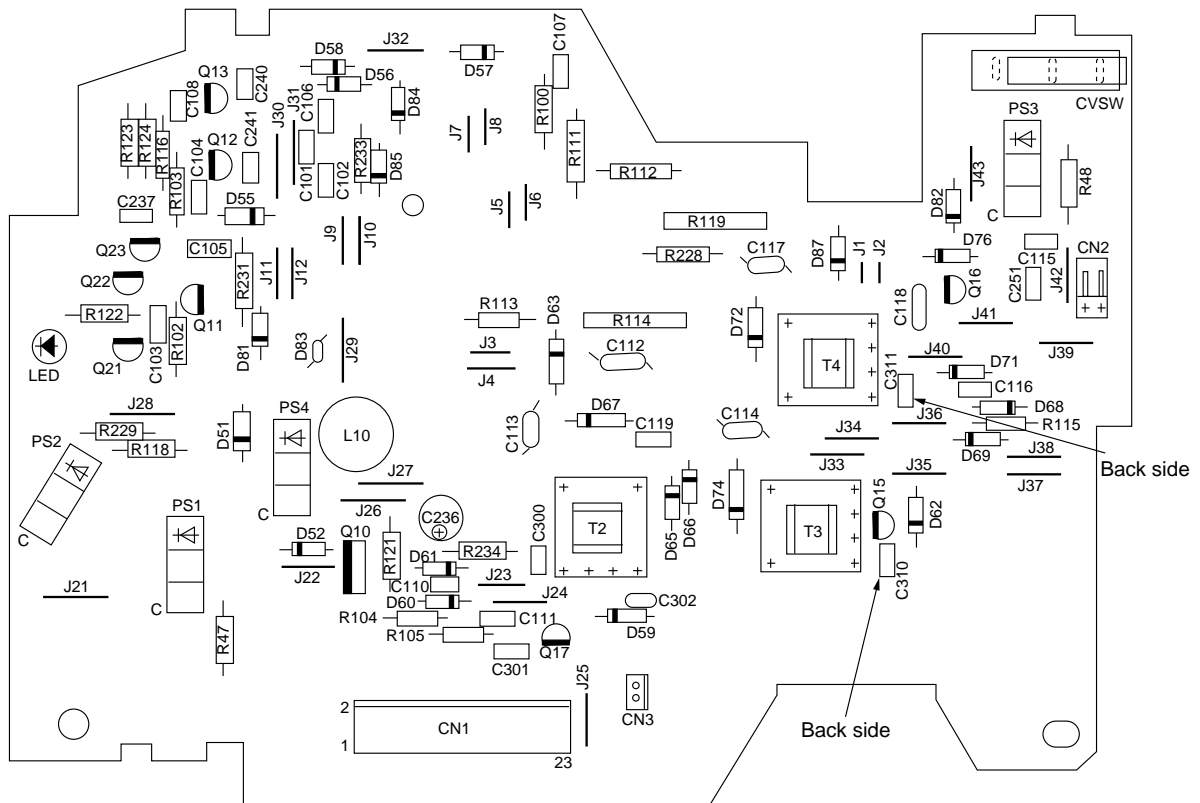
REF. NO.	SYMBOL	TYPE/NAME	PART NO.	Q'TY	REMARKS
17	R20	RM73B2A122J RN Resistor	323A5003J0122	1	
18	R1,R2	MSF1/2B 2ΩJ RS Resistor	323A1001J0209	2	
19	R545	RM73B2A472J RN Resistor	323A5003J0472	1	
20	R542	RM73B2A102F RN Resistor	323A5003F0102	1	
21	R540	RM73B2A432F RN Resistor	323A5003F0432	1	
22	R51	RM73B2A362F RN Resistor	323A5003F0362	1	
23	R541	RM73B2A223F RN Resistor	323A5003F0223	1	
24	R56	RM73B2A204J RN Resistor	323A5003J0204	1	
25	C515	CC2012SL1H561J CC Capacitor	50V 303A3007K0561	1	
26	C506	CK2012B1H102K CK Capacitor	50V 303A6008K3102	1	
27	C10,C18,C19	CK2012R1H223K CK Capacitor	50V 303A6008K3223	3	
28	C9,C12-C15, C501-C505, C509-C511,C513,C514 C520,C522,C523,C525, C526	CK2012F1H104Z CK Capacitor	50V 303A6008Z3104	20 1	
29	C524	CK2012B1H222K CK Capacitor	50V 303A6008K3222	1	
30	C7,C8,C16,C17	TCK45F2E103ZYA CK Capacitor	250V 10000pF 302A4027Z5103	4	
31	C1	UVS1A332MHA CE Capacitor	10V 3300μF 304A1137A1332	1	
32	C2,C4	KME50VB-47 CE Capacitor	50V 47UF 304A1115H1470	2	
33	C3	SME16VB-47-0A CE Capacitor	16V 47UF 304A1123C1470	1	

**HBMC Printed Circuit Board Rev. 3
(4YA4121-2516G2-2/2-3/4)**

REF. NO.	SYMBOL	TYPE/NAME	PART NO.	Q'TY	REMARKS
34	C11	CK2012F1H473Z 50V CK Capacitor	303A6008Z3473	1	
35	IC3	SN74LS373NS BIP Digital IC	700A0550N0373	1	
36	IC4	93LC46A-NW MOS-EEPROM	816A0303M0000	1	
37	IC11	514256JP-70 MOS-D-RAM	8020003N0601	1	
38	IC10	MTD2005F BIP Linear IC	720A1816N0001	1	
39	IC7	7407FP BIP Digital IC	700A0003N0007	1	
40	IC5	PST592D-2 BIP Linear IC	720A4037M0015	1	
41	IC20	UPC393G2 BIP Linear IC	720A0523N0011	1	
42	IC6	MSM65917-014GS-K MOS-CPU(ROM)	8530193N0014	1	
43					
44					
45					
46					
47	SP1	IMSA9202B-1-03Z013GF PC Connector	224A4082P0030	1	
48	CN1	00-5062-301-023-000 PC Connector	224A5114P0230	1	
49	CN2	B8B-XH-A PC Connector	224A3530P0080	1	
50	CN6	ZC-014 PC Connector	224A3590P0140	1	
51	CN8	00-8263-0211-00-000 PC Connector	224A3358P0020	1	

**HBMC Printed Circuit Board Rev. 3
(4YA4121-2516G2-2/2-4/4)**

REF. NO.	SYMBOL	TYPE/NAME	PART NO.	Q'TY	REMARKS
52	CN4	36FAGL-M3 Square Type Connector	220A0122P0360	1	
53	CN7	00-8263-0411-00-000 PC Connector	224A3358P0040	1	
54	CN9	TX25-30P-LT-H1 PC Connector	224A4172P0300	1	
55					
56	Q5	DTC124EK NPN-HF-TR	602A1035N0004	1	
57	Q4	2SA1338 PNP-HF-TR	600A1032N0010	1	
58	Q3	DTC123YK NPN-HF-TR	602A1035N0019	1	
59	OSC1	GST10.0MTW Oscilator	381A1045B0014	1	
60					
61		DICF-28CS-E IC Socket	245A1221P0280	1	
62					
63		TW-VF-23-210-B Flexible Cable	238A1123P0002	1	
64		IMSA-9206H-GF PC Connector	224A4080P0020	1	
65					
66		TUBE (black) L=4	4PP4010-1002P004	4	



**OLHV Printed Circuit Board
REV.6
(4YA4130-1004G1-1/2)**

OLHV Printed Circuit Board Rev. 6
(4YA4130-1004G1-2/2-1/4)

REF. NO.	SYMBOL	TYPE/NAME	PART NO.	Q'TY	REMARKS
1	D60,D61,D68,D69	1S953/1S2075K/1S2473 Signal Diode	611A0003L0001	4	
2	D63, D67, D72, D74	DHM3FJ60/ESJA58-06 Rectifier Diode	610A0003M0002	4	
3	D51, D55-59, D62, D71, D81,D84	EU02A Rectifier Diode	610A0226M0016	10	
4					
5	D52,D85	1ZB300-Y/Z Zener Diode	613A2003M0001	2	
6	D65,D66	1ZB390 Zener Diode	613A2258M0350	2	
7	D87	RD200E-B Zener Diode	613A1231L0522	1	
8	D76	RD22E-B2 Zener Diode	613A1231L0262B	1	
9	D82	RD27E-B1 Zener Diode	613A1231L0282A	1	
10					
11	D83	D05-471 Varistor	632A0200M1470	1	
12					
13	R234	RD1/4Y33ΩJ RD Resistor	321A1421J0330	1	
14	R47,R48	RD1/4Y130ΩJ RD Resistor	321A1421J0131	2	
15	R102,R116	RD1/4Y330ΩJ RD Resistor	321A1421J0331	2	
16	R103,R123	RD1/4Y1KΩJ RD Resistor	321A1421J0102	2	
17	R118	RD1/4Y4.7KΩJ RD Resistor	321A1421J0472	1	
18	R121,R122,R124,R229	RD1/4Y5.1KΩJ RD Resistor	321A1421J0512	4	

**OLHV Printed Circuit Board Rev. 6
(4YA4130-1004G1-2/2-2/4)**

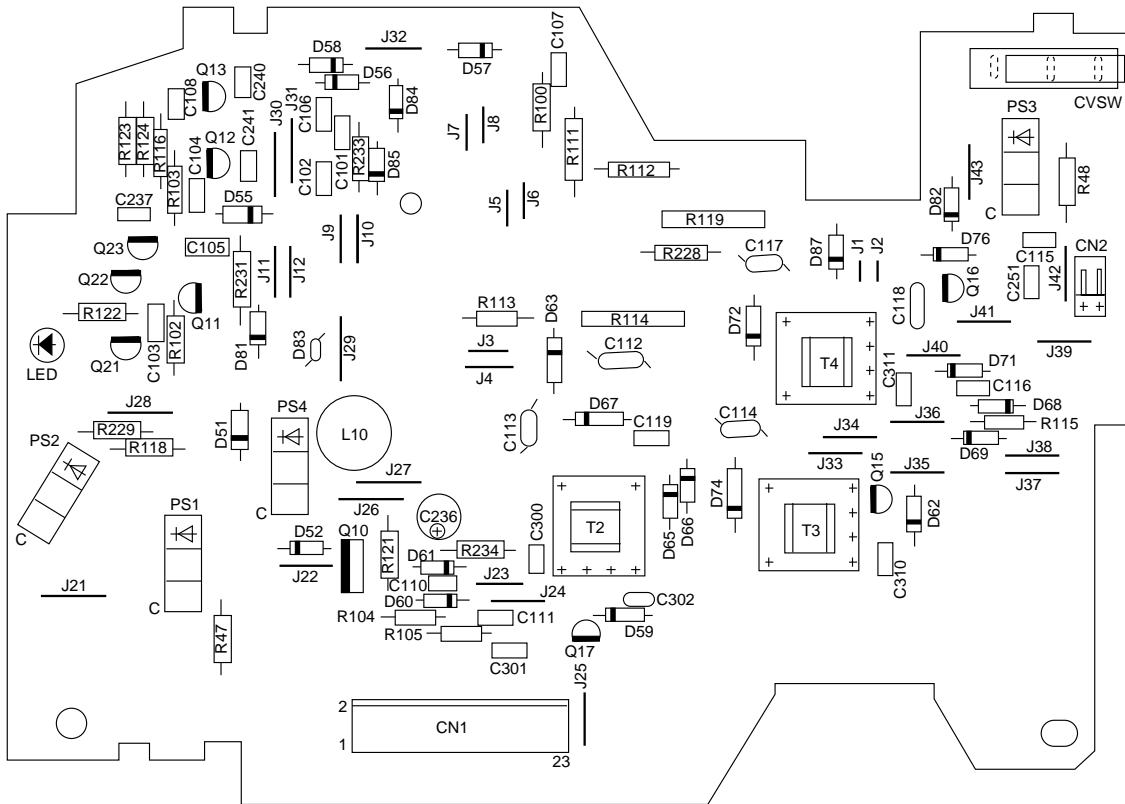
REF. NO.	SYMBOL	TYPE/NAME	PART NO.	Q'TY	REMARKS
19	R105	RD1/4Y24KΩJ RD Resistor	321A1421J0243	1	
20	R104	RD1/4Y75KΩJ RD Resistor	321A1421J0753	1	
21	R113	RD1/4Y100KΩJ RD Resistor	321A1421J0104	1	
22	R228,R233	RD1/4Y1MΩJ RD Resistor	321A1421J0105	2	
23	R100	RD1/4Y3MΩJ RD Resistor	321A1421J0305	1	
24	R115	RNL1/4C3F576KΩ RN Resistor	323A1222F5763	1	
25	R111,R112,R231	HMP1/4-106J RN Resistor	323A1029J0106	3	
26	R114,R119	HMV1/2C107K RK Resistor	326A3020K0107	2	
27					
28	C105,C107,C119	DE0705B471K1K CK Capacitor	1KV 470pF	302A4028K0471A	3
29	C113,C114,C117	DE0707B471K3K CK Capacitor	3.15KV 470pF	302A4028K2471	3
30	C112	DE1010B471K6K CK Capacitor	6KV 470pF	302A4028K4471	1
31	C240,C241	DD05-63SL390J500 CC Capacitor	39pF	302A1202K0390	2
32	C101,C102,C106	DD05-63B471K500 CK Capacitor	500V 470pF	302A4003K6471	3
33	C103,C104,C108,C110, C111,C115,C237,C251, C300,C301,C310,C311	FK16Y5V1H104Z CK Capacitor		303A4019Z3104	12
34					
35	C116	FK16Y5V1H473Z CK Capacitor		303A4019Z3473	1

**OLHV Printed Circuit Board Rev. 6
(4YA430-1004G1-2/2-3/4)**

REF. NO.	SYMBOL	TYPE/NAME	PART NO.	Q'TY	REMARKS
36	C118	CQMF92PP2A103J-F0 CQ Capacitor 0.010 μ F	306A4103J2103	1	
37	C302	CQMF92PP2A472J-F0 CQ Capacitor 0.0047 μ F	306A4103J2472	1	
38	C236	SME63VB-10-0A 63V CE Capacitor 10 μ F	304A1123J1100	1	
39					
40	Q11,Q13	BCR1AM-12 Gate Thyristor SW	622A0022M0014	2	
41	Q12	CR04AM-12 Gate Thyristor OFF	620A0022M0008	1	
42	Q21-Q23	2SC1815-Y NPN-HF-TR	602A1025M0006Y	3	
43	Q15-Q17	2SC2235-Y NPN-HF-TR	602A1125M0039Y	3	
44	Q10	2SC2752 NPN-HF-TR	602A1223M0039	1	
45					
46	L10	C-14576 P Coil	350A2511P0102	1	
47					
48					
49	T2,T3,T4	High Voltage Transformer	4YB4049-7078P003	3	
50					
51					
52	PS1-PS4	SG-206 Photocoupler	652A0114M0003	4	
53					

OLHV Printed Circuit Board Rev. 6
(4YA4130-1004G1-2/2-4/4)

REF. NO.	SYMBOL	TYPE/NAME	PART NO.	Q'TY	REMARKS
54	CVSW	SS-5GL13 Microswitch	207A1025P0001	1	
55					
56	LED	SEL3910D-YZ LED	650A0229M0018	1	
57					
58	CN1	23FE-BT-VK-N PC Connector	224A4134P0230	1	
59	CN2	53254-0210 PC Connector	224A4407P0020	1	
60	CN3	00-8263-0212-00-000 PC Connector	224A3357P0020	1	
61					
62	J1,J2	0.65 Tin-plated Annealed Copper Wire	TA-0.65	2	
63	J3-J12	0.65 Tin-plated Annealed Copper Wire	TA-0.65	10	
64	J21-J43	0.65 Tin-plated Annealed Copper Wire	TA-0.65	23	



**OLHV Printed Circuit Board or
REV.7
(4YA4130-1004G1-1/2)**

**TLHV Printed Circuit Board
REV.3
(4YA4130-1024G1-1/2)**

**OLHV Printed Circuit Board Rev. 7
(4YA4130-1004G1-2/2-1/4)**

REF. NO.	SYMBOL	TYPE/NAME	PART NO.	Q'TY	REMARKS
1	D60,D61,D68,D69	1S953/1S2075K/1S2473 Signal Diode	611A0003L0001	4	
2	D63, D67, D72, D74	DHM3FJ60/ESJA58-06 Rectifier Diode	610A0003M0002	4	
3	D51, D55-59, D62, D71, D81,D84	EU02A Rectifier Diode	610A0226M0016	10	
4					
5	D52,D85	1ZB300-Y/Z Zener Diode	613A2003M0001	2	
6	D65,D66	1ZB390 Zener Diode	613A2258M0350	2	
7	D87	RD200E-B Zener Diode	613A1231L0522	1	
8	D76	RD22E-B2 Zener Diode	613A1231L0262B	1	
9	D82	RD27E-B1 Zener Diode	613A1231L0282A	1	
10					
11	D83	ERZV05D471 Varistor-Resistor	6320229M0001	1	
12					
13	R234	RD1/4Y33ΩJ RD Resistor	321A1421J0330	1	
14	R47,R48	RD1/4Y130ΩJ RD Resistor	321A1421J0131	2	
15	R102,R116,R121	RD1/4Y330ΩJ RD Resistor	321A1421J0331	3	
16	R103,R123	RD1/4Y1KΩJ RD Resistor	321A1421J0102	2	
17	R118	RD1/4Y4.7KΩJ RD Resistor	321A1421J0472	1	
18	R122,R124,R229	RD1/4Y5.1KΩJ RD Resistor	321A1421J0512	3	

**OLHV Printed Circuit Board Rev. 7
(4YA4130-1004G1-2/2-2/4)**

REF. NO.	SYMBOL	TYPE/NAME	PART NO.	Q'TY	REMARKS
19	R105	RD1/4Y24KΩJ RD Resistor	321A1421J0243	1	
20	R104	RD1/4Y75KΩJ RD Resistor	321A1421J0753	1	
21	R113	RD1/4Y100KΩJ RD Resistor	321A1421J0104	1	
22	R228,R233	RD1/4Y1MΩJ RD Resistor	321A1421J0105	2	
23	R100	RD1/4Y3MΩJ RD Resistor	321A1421J0305	1	
24	R115	RNL1/4C3F576KΩ RN Resistor	323A1222F5763	1	
25	R111,R112,R231	HMP1/4-106J RN Resistor	323A1029J0106	3	
26	R114,R119	HV-38-100MK RK Resistor	326A3021K0107	2	
27					
28	C105,C107,C119	DE0705B471K1K CK Capacitor	1KV 470pF	302A4028K0471A	3
29	C113,C114,C117	DE0707B471K3K CK Capacitor	3.15KV 470pF	302A4028K2471	3
30	C112	DE1010B471K6K CK Capacitor	6KV 470pF	302A4028K4471	1
31	C240,C241	DD05-63SL390J500 CC Capacitor	39pF	302A1202K0390	2
32	C101,C102,C106	DD05-63B471K500 CK Capacitor	500V 470pF	302A4003K6471	3
33	C103,C104,C108,C110, C111,C115,C237,C251, C300,C301,C310,C311	FK16Y5V1H104Z CK Capacitor		303A4019Z3104	12
34					
35	C116	FK16Y5V1H473Z CK Capacitor		303A4019Z3473	1

**OLHV Printed Circuit Board Rev. 7
(4YA430-1004G1-2/2-3/4)**

REF. NO.	SYMBOL	TYPE/NAME	PART NO.	Q'TY	REMARKS
36	C118	CQMF92PP2A103J-F0 CQ Capacitor 0.010 μ F	306A4103J2103	1	
37	C302	CQMF92PP2A472J-F0 CQ Capacitor 0.0047 μ F	306A4103J2472	1	
38	C236	SME63VB-10-0A 63V CE Capacitor 10 μ F	304A1123J1100	1	
39					
40	Q11,Q13	BCR1AM-12/MAC97-008 Gate Thyristor SW	622A0003M0001	2	
41	Q12	CR04AM-12 Gate Thyristor OFF	620A0022M0008	1	
42	Q21-Q23	2SC1815-Y NPN-HF-TR	602A1025M0006Y	3	
43	Q15-Q17	2SC2235-Y NPN-HF-TR	602A1125M0039Y	3	
44	Q10	2SC2752 NPN-HF-TR	602A1223M0039	1	
45					
46	L10	C-14576 P Coil	350A2511P0102	1	
47					
48					
49	T2,T3,T4	High Voltage Transformer	4YB4049-7078P003	3	
50					
51					
52	PS1-PS4	SG-206 Photocoupler	652A0114M0003	4	
53					

**OLHV Printed Circuit Board Rev. 7
(4YA4130-1004G1-2/2-4/4)**

REF. NO.	SYMBOL	TYPE/NAME	PART NO.	Q'TY	REMARKS
54	CVSW	SS-5GL13 Microswitch	207A1025P0001	1	
55					
56	LED	SEL3910D-YZ LED	650A0229M0018	1	
57					
58	CN1	23FE-BT-VK-N PC Connector	224A4134P0230	1	
59	CN2	53254-0210 PC Connector	224A4407P0020	1	
60					
61					
62	J1,J2	0.65 Tin-plated Annealed Copper Wire	TA-0.65	2	
63	J3-J12	0.65 Tin-plated Annealed Copper Wire	TA-0.65	10	
64	J21-J43	0.65 Tin-plated Annealed Copper Wire	TA-0.65	23	

TLHV Printed Circuit Board Rev. 3
(4YA4130-1024G1-2/2-1/4)

REF. NO.	SYMBOL	TYPE/NAME	PART NO.	Q'TY	REMARKS
1	D60,D61,D68,D69	1S953/1S2075K/1S2473 Rectifying Diode	611A0003L0001	4	
2	D63, D67, D72, D74	DHM3FJ60/ESJA58-06 Rectifying Diode	610A0003M0002	4	
3	D51, D55-59, D62, D71, D81,D84	EU02A Rectifying Diode	610A0226M0016	10	
4	D52,D85	1ZB300-Y/Z Zener Diode	613A2003M0001	2	
5	D65,D66	1ZB390 Zener Diode	613A2258M0350	2	
6	D87	RD200E-B Zener Diode	613A1231L0522	1	
7	D76	RD22E-B2 Zener Diode	613A1231L0262B	1	
8	D82	RD27E-B1 Zener Diode	613A1231L0282A	1	
9					
10	D83	ERZV05D471 Zener Diode	6320229M0001	1	
11					
12	R234	RD1/4Y33ΩJ RD Resistor	321A1421J0330	1	
13	R47,R48	RD1/4Y130ΩJ RD Resistor	321A1421J0131	2	
14	R102,R116,R121	RD1/4Y330ΩJ RD Resistor	321A1421J0331	3	
15	R103,R123	RD1/4Y1KΩJ RD Resistor	321A1421J0102	2	
16	R118	RD1/4Y4.7KΩJ RD Resistor	321A1421J0472	1	
17	R122,R124,R229	RD1/4Y5.1KΩJ RD Resistor	321A1421J0512	3	
18	R105	RD1/4Y24KΩJ RD Resistor	321A1421J0243	1	

**TLHV Printed Circuit Board Rev. 3
(4YA4130-1024G1-2/2-2/4)**

REF. NO.	SYMBOL	TYPE/NAME	PART NO.	Q'TY	REMARKS
19	R104	RD1/4Y75KΩJ RD Resistor	321A1421J0753	1	
20	R113	RD1/4Y100KΩJ RD Resistor	321A1421J0104	1	
21	R228,R233	RD1/4Y1MΩJ RD Resistor	321A1421J0105	2	
22	R100	RD1/4Y3MΩJ RD Resistor	321A1421J0305	1	
23	R115	RNL1/4C3F576KΩF RN Resistor	323A1222F5763	1	
24	R111,R112,R231	HMP1/4-106J RN Resistor	323A1029J0106	3	
25	R114,R119	HV-38-100MK RK Resistor	326A3021K0107	2	
26					
27	C105,C107,C119	CCHNY5P4B471KTB CK Capacitor	1KV 470pF	302A4058K7471A	3
28	C113,C114,C117	DE0707B471K3K CK Capacitor	3.15KV 470pF	302A4028K2471	3
29	C112	DE1010B471K6K CK Capacitor	6KV 470pF	302A4028K4471	1
30	C240,C241	CCTL4B390JTB CC Capacitor	500V 39pF	302A1017K6390	2
31	C101,C102,C106	CCHLY5P4B471KTB CK Capacitor	500V 470pF	302A4057K6471	3
32	C103,C104,C108,C110, C111,C115,C237,C251, C300,C301,C310,C311	FK16Y5V1H104Z CK Capacitor		303A4019Z3104	12
33	C116	FK16Y5V1H473Z CK Capacitor		303A4019Z3473	1
34	C118	MY2A103J-T CQ Capacitor	0.010μF	3062001J2103	1
35	C302	CQMF92PP2A472J-FO CQ Capacitor	0.0047μF	306A4103J2472	1

TLHV Printed Circuit Board Rev. 3
(4YA430-1024G1-2/2-3/4)

REF. NO.	SYMBOL	TYPE/NAME	PART NO.	Q'TY	REMARKS
36	C236	UVX1J100MT0511(5.0) 63V CE Capacitor 10 μ F	3041001J1100	1	
37					
38	Q11,Q13	BCR1AM-12/MAC97-008 Bi-Directional Thyristor	622A0003M0001	2	
39	Q12	CR04AM-12 Gate Thyristor	620A0022M0008	1	
40	Q21-Q23	2SC1740S Transistor	602A1035M0002	3	
41	Q15-Q17	2SD2451 Trnsistor	603A1135M0010	3	
42	Q10	2SC2752 Transistor	602A1223M0039	1	
43					
44	L10	C-14576 P Coil	350A2511P0102	1	
45					
46					
47	T2,T3,T4	High Voltage Transformer	4YB4049-7078P003	3	
48					
49					
50	PS1-PS4	RPI-574/#9568 Photocoupler	652A0103M0002	4	
51					
52	CVSW	SM-05S-04A-9 Microswitch	207A2020P0001	1	
53					

TLHV Printed Circuit Board Rev. 3
(4YA4130-1024G1-2/2-4/4)

REF. NO.	SYMBOL	TYPE/NAME	PART NO.	Q'TY	REMARKS
54	LED	SEL3910D-YZ LED	650A0229M0018	1	
55					
56	CN1	23FE-BT-VK-N Printed-Circuit Board Connector	224A4134P0230	1	
57	CN2	53254-0210 Printed-Circuit Board Connector	224A4407P0020	1	
58					
59					
60	J1,J2	0.6 Short Wire	TA-0.6	2	
61	J3-J12	0.6 Short Wire	TA-0.6	10	
62	J21-J43	0.6 Short Wire	TA-0.6	23	
63					
64					